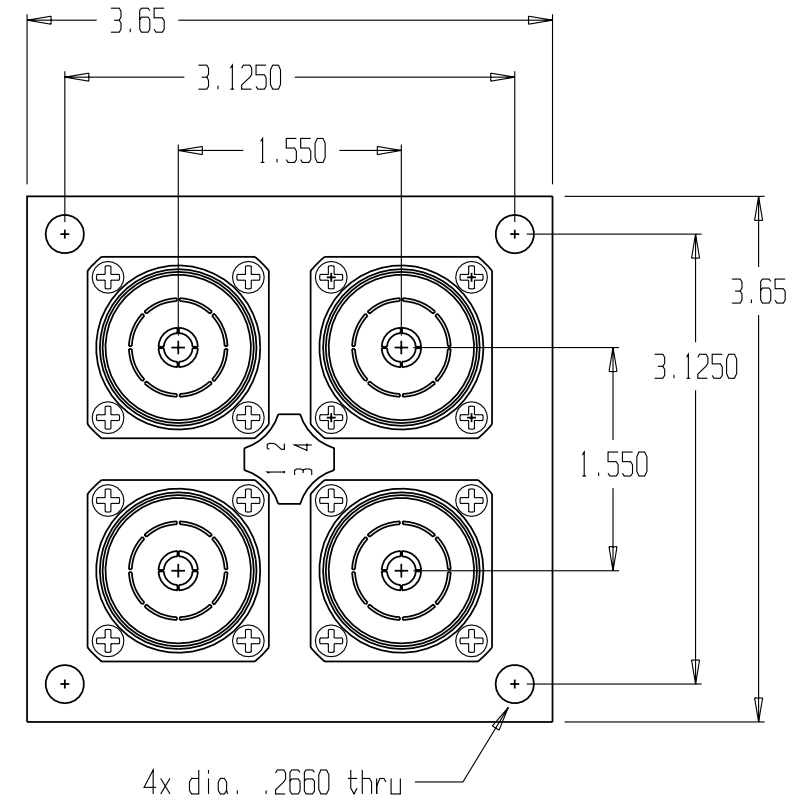
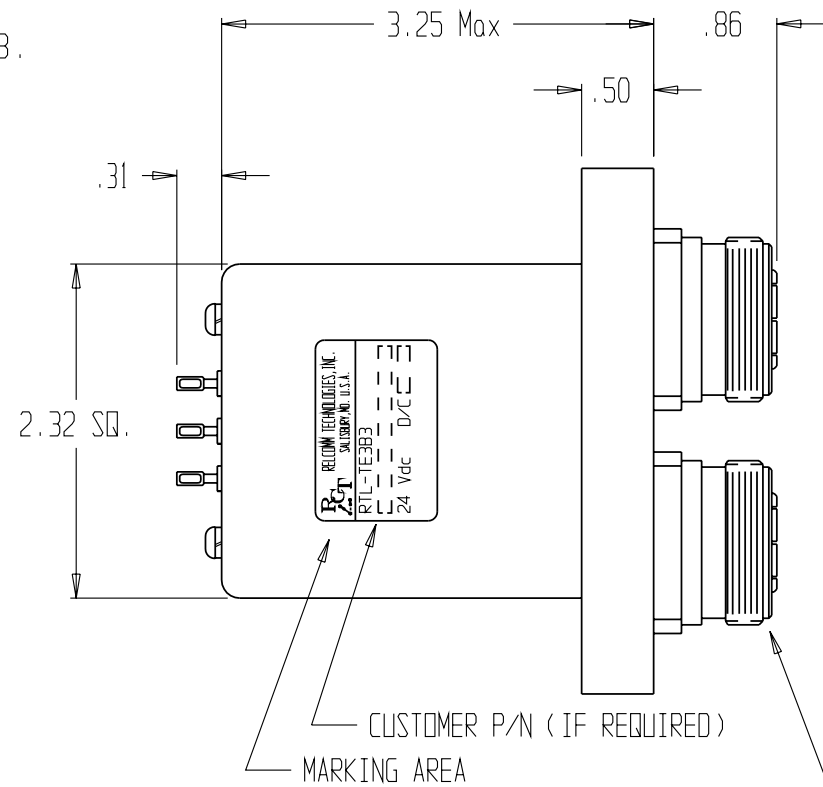
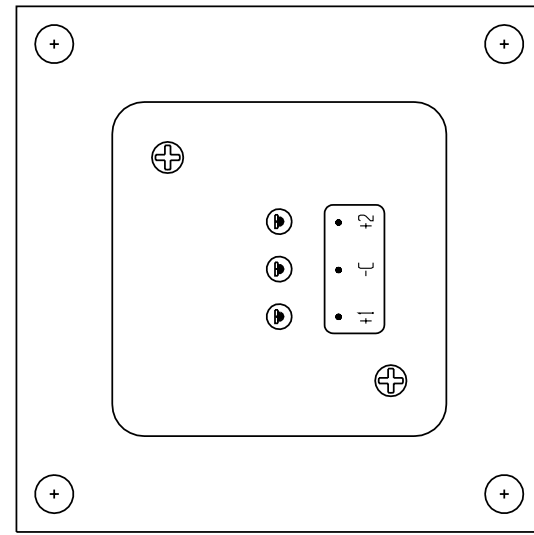


NOTES:
 1. INTERPRET CALLOUTS/SYMBOLS PER ASME Y14.5M-1994.
 2. VERIFICATION OF CHARACTERISTICS ARE IN REFERENCE WITH MIL-DTL-3928.

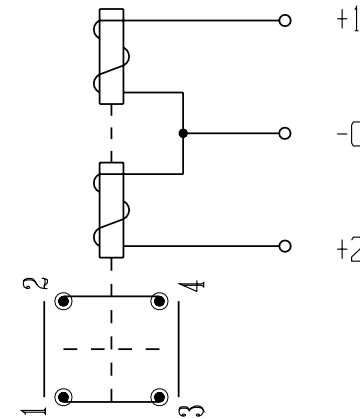


4x, 7-16 JACK MATING REQUIREMENTS PER DIN 47223

CHARACTERISTICS:

NOMINAL IMPEDANCE (Ohm)	----- 50		
FREQUENCY RANGE (GHz)	----- DC-1	1-2	2-3
V.S.W.R. (MAX)	----- 1.10:1	1.20:1	1.25:1
INSERTION LOSS (dB Max)	----- 0.10	0.15	0.20
ISOLATION (dB Min)	----- 65	65	65
RF POWER THRU (Watts CW)	----- 3K-1500	1000	850

TEMPERATURE RANGE (Operating)	-- -35°C - +75°C
TEMPERATURE RANGE (Storage)	---- -40°C - +90°C
SWITCHING ACTION (Latching)	----- MAKE BEFORE BREAK
OPERATING VOLTAGE (Over Temp)	-- 20 - 28 Vdc
SWITCHING VOLTAGE (Max @ 25°C)	- 18 Vdc
ACTUATING CURRENT (Amp Max)	---- 0.70 @ 24 Vdc & 25°C
SWITCHING TIME (Max)	----- 30 mSEC
LIFE (Minimum Per Position)	---- 1*10^6 Cycles
WEIGHT	----- 2 lbs Max



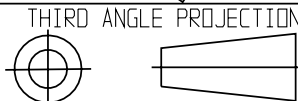
SCHEMATIC SHOWS POSITION 1 LAST ENERGIZED
 POS. 1 1-2 3-4 (OPEN) POS. 2 1-3 2-4 (OPEN)
 1-3 2-4 (CLOSED) 1-2 3-4 (CLOSED)

MATERIALS/FINISH:

HOUSING	----- ALUMINUM/NICKEL
COVER	----- ALUMINUM/BLACK ANODIZED
CONNECTORS	--- BRASS/SILVER
INSULATION	--- TEFLON
CONTACTS	----- BERYLLIUM COPPER/GOLD

REV	ECN NO.	DATE	APPROVAL
D	REMOVE DIODES	04/06/12	B. JONES
C	CORRECT ISOL	12/16/11	B. JONES
B	UPDATE ISOLATION	11/18/11	B. JONES
A	PRELIMINARY	11/08/11	B. JONES

UNLESS OTHERWISE SPECIFIED:
 DIMENSIONS ARE IN INCHES
 AND INCLUDE PLATING.
 TOLERANCES
 .XX ±.03 FRACTIONS ±
 .XXX ±.010 SURFACE QUALITY
 .XXXX ±.0050 63/ MAX



DR	B. JONES	11/08/11
CK	B. JONES	
ENG	M. MAGDA	
MFG		
QA		

THIS DRAWING AND SPECIFICATIONS ARE THE PROPERTY OF RELCOMM TECHNOLOGIES AND SHALL NOT BE REPRODUCED OR COPIED OR USED IN WHOLE OR IN PART AS THE BASIS FOR THE MANUFACTURE OR SALE OF ITEM(S) WITHOUT WRITTEN PERMISSION.

		RELCOMM TECHNOLOGIES, INC. 610 BEAM STREET SALISBURY, MARYLAND 21801	
TITLE 7/16 COAXIAL TRANSFER RELAY PULSE LATCHING			
SIZE B	DWG NO. RTL-TE3B3	REV D	
SCALE 3/4	DO NOT SCALE DWG	SHEET 1 OF 1	