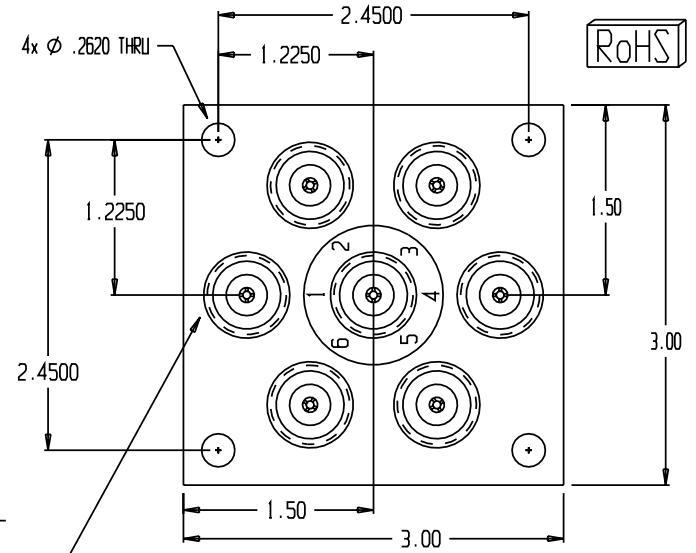
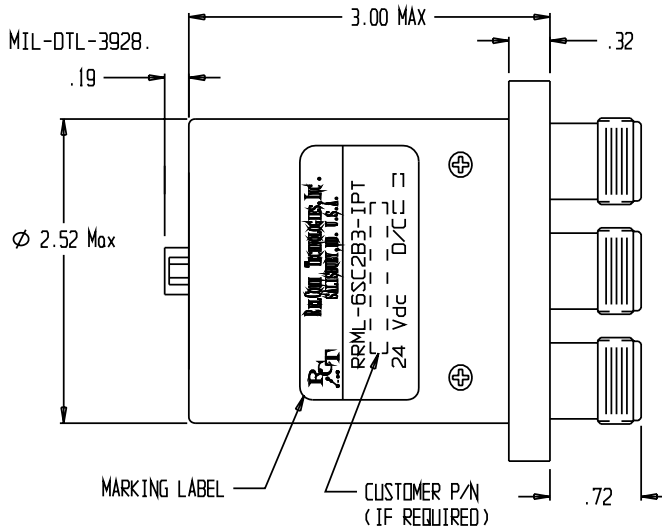
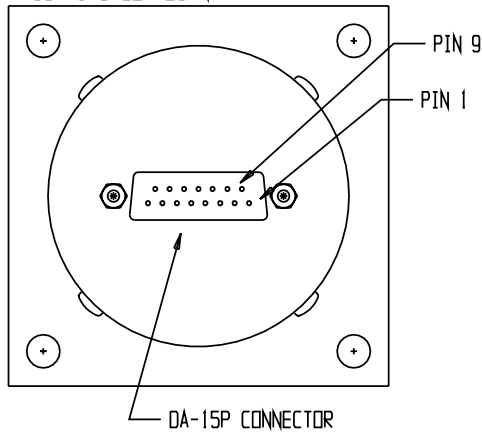


NOTES:

1. INTERPRET CALLOUTS/SYMBOLS PER ASME Y14.5M-1994
2. VERIFICATION OF CHARACTERISTICS ARE IN REFERENCE WITH MIL-DTL-3928.
3. THIS RELAY IS RoHS COMPLIANT



CHARACTERISTICS:

NOMINAL IMPEDANCE (OHM)	50		
FREQUENCY RANGE (GHz)	DC-1	1-2	2-3
V.S.W.R. (MAX)	1.10:1	1.15:1	1.20:1
INSERTION LOSS (dB MAX)	0.10	0.15	0.20
ISOLATION (dB MIN)	80	70	70
RF POWER (WATTS CW MAX)	2000-1250	850	700

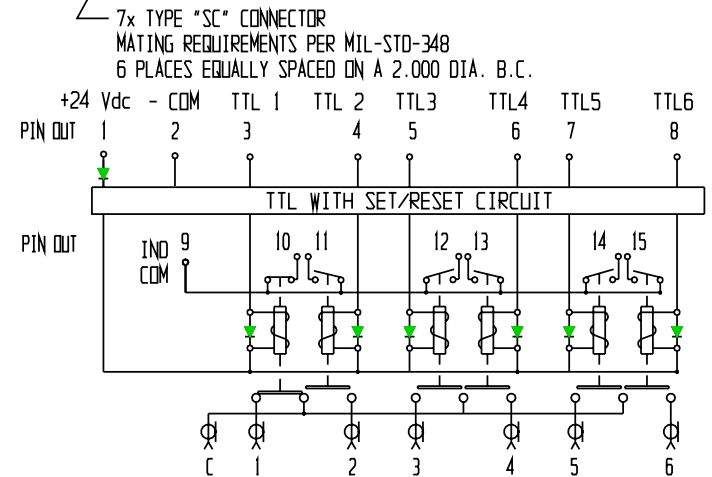
TEMPERATURE RANGE (OPERATING)	-35°C - +70°C		
SWITCHING ACTION	BREAK BEFORE MAKE		
OPERATING VOLTAGE (OVER TEMP)	20 - 28 Vdc		
PICKUP VOLTAGE (MAX @20°C)	18 Vdc		
ACTUATING CURRENT (mA MAX)	180 @ 24 Vdc & 20°C		
SWITCHING TIME (MAX)	20 millisecc		
LIFE (MIN PER POSITION)	1 * 10 ⁶ CYCLES		
INDICATOR CONTACT RATING	5 WATTS TYP., 175 V MAX., .25 A MAX.		
TTL LOGIC	ON STATE 2.4-5.5 Vdc		
	OFF STATE 0 - 0.8 Vdc		
WEIGHT (OZ)	21 NDM		

MATERIALS/FINISH:

HOUSING	ALUMINUM/NICKEL PLATE
COVER	ALUMINUM/BLACK ANODIZED
CONNECTORS	BRASS/NICKEL PLATE
INSULATION	TEFLON
CONTACTS	BERYLLIUM COPPER/GOLD PLATE



DA15P PIN	TERMINAL FUNCTION	RF CONTACT
1	+24 Vdc	
2	- COM	
3	TTL 1	C-1
4	TTL 2	C-2
5	TTL 3	C-3
6	TTL 4	C-4
7	TTL 5	C-5
8	TTL 6	C-6
9	IND COMMON	
10	IND POS 1	
11	IND POS 2	
12	IND POS 3	
13	IND POS 4	
14	IND POS 5	
15	IND POS 6	

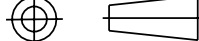


SCHEMATIC SHOWN IN POSITION #1 (TTL 1 LAST SELECTED)

C	3.00 MAX WAS 2.80	6/11/18	B. JONES
B	revise dims	12/18/17	M. MAGDA
A	PRELIM REL	9/26/16	M. MAGDA
REV	ECN NO.	DATE	APPROVAL

UNLESS OTHERWISE SPECIFIED:
DIMENSIONS ARE IN INCHES
AND INCLUDE PLATING.
TOLERANCES
.XX ± .02 FRACTIONS ±
.XXX ± .010 SURFACE QUALITY
.XXX ± .0050 63/ MAX

THIRD ANGLE PROJECTION



DR	M. MAGDA	9/26/16
CK	B. JONES	
ENG	M. MAGDA	
MFG		

THIS DRAWING AND SPECIFICATIONS ARE THE PROPERTY OF RELCOMM TECHNOLOGIES AND SHALL NOT BE REPRODUCED OR COPIED OR USED IN WHOLE OR IN PART AS THE BASIS FOR THE MANUFACTURE OR SALE OF ITEM(S) WITHOUT WRITTEN PERMISSION.

	RELCOMM TECHNOLOGIES, INC. 610 BEAM STREET SALISBURY, MARYLAND 21801	
	TITLE: 1P6T COAXIAL RELAY "LATCHING" SELF CUTOFF TTL & INDICATORS	
SIZE: B DWG NO: RRML-6SC2B3-IPT	SCALE: 1:1	DO NOT SCALE DWG
REV: 2	SHEET: 1 OF 1	REV: 1