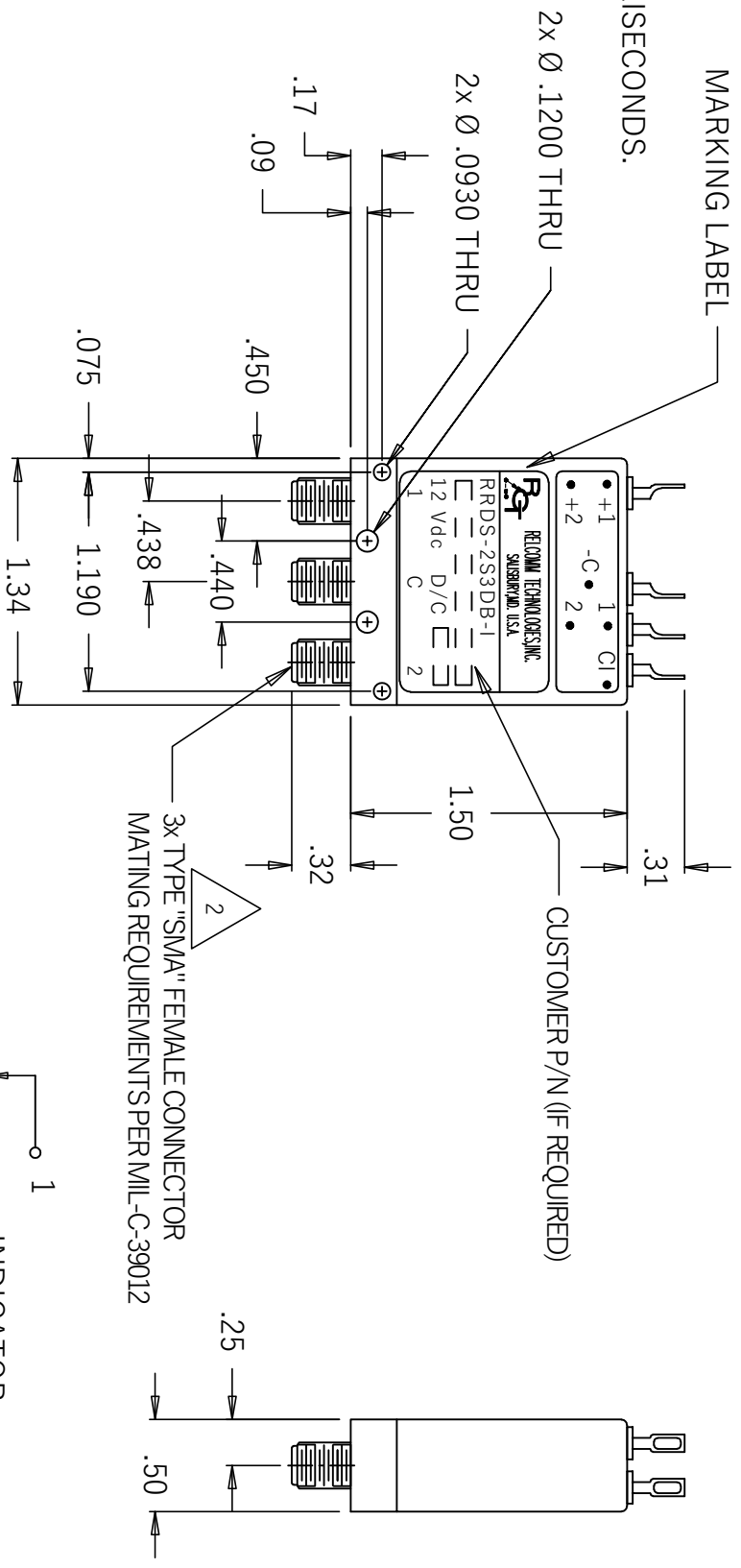


NOTES:

1. INTERPRET CALLOUTS/SYMBOLS PER ASME Y14.5M-1994
2. RECOMMENDED MATING CONNECTOR TORQUE IS 8 lb-in (90 N-cm)
3. DO NOT EXCEED 12 lb-in (136 N-cm) AS DAMAGE TO CONNECTOR MAY RESULT.
4. VERIFICATION OF CHARACTERISTICS ARE IN REFERENCE WITH MIL-S-3928
5. RECOMMENDED PULSE WIDTH DURATION FOR SWITCHING RELAY, 50-500 MILLISECONDS.
6. THIS RELAY IS ROHS COMPLIANT.

MARKING LABEL



CHARACTERISTICS:

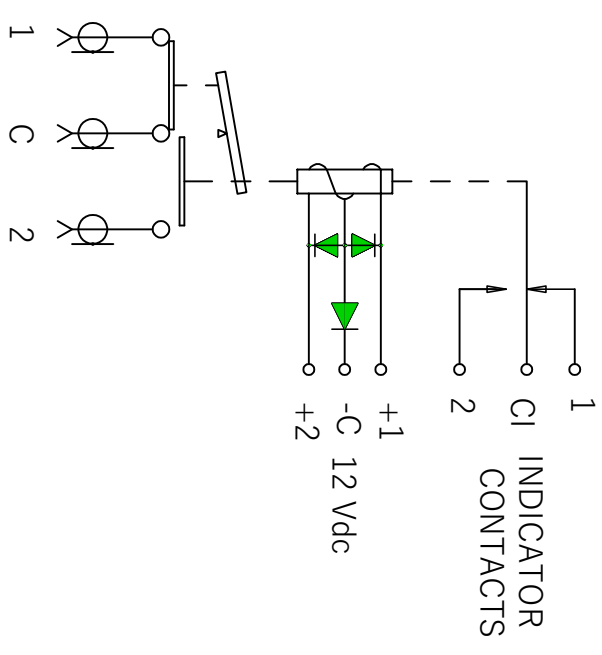
NOMINAL IMPEDANCE (OHM)	50
FREQUENCY RANGE (GHz)	DC-4
V.S.W.R. (MAX)	1.2:1
INSERTION LOSS (dB MAX)	0.2
ISOLATION (dB MIN)	80
AVERAGE POWER (WATTS TYP)	85

TEMPERATURE RANGE (OPERATING)	-40°C - +85°C
TEMPERATURE RANGE (STORAGE)	-55°C - +100°C
SWITCHING ACTION	BREAK BEFORE MAKE
OPERATING VOLTAGE (OVER TEMP)	10 - 14 Vdc
SWITCHING VOLTAGE (MAX @ 25°C)	8.5 Vdc
ACTUATING CURRENT (MA MAX)	215 @ 12 Vdc & 25°C
SWITCHING TIME (MAX)	15 MSEC
LIFE (MIN PER POSITION)	1 * 10 <sup>6</sup> CYCLES
INDICATOR CONTACT RATING:	5 WATTS TYP., 175V MAX., .25 A MAX
WEIGHT (OZ)	1.4 NOM

MATERIALS/FINISH:

HOUSING	ALUMINUM/ROHS NICKEL
COVER	ALUMINUM/BLACK ANODIZED
CONNECTORS	STAINLESS STEEL/PASSIVATE
INSULATION	TEFLON
CONTACTS	BERYLLIUM COPPER/GOLD
TERMINALS	Ni-Fe/Sn-PLATED

(SCHEMATIC SHOWN IN POSITION 1) (+1 LAST ENERGIZED)



REV	ECN NO.	DATE	APPROVAL	UNLESS OTHERWISE SPECIFIED: DIMENSIONS ARE IN INCHES AND INCLUDE PLATING. TOLERANCES FRACTIONS ± SURFACE QUALITY 63/MAX	DR A.MAGDA 9/26/13	<p>THIRD ANGLE PROJECTION</p>	<p>UNLESS OTHERWISE SPECIFIED: DIMENSIONS ARE IN INCHES AND INCLUDE PLATING. TOLERANCES FRACTIONS ± SURFACE QUALITY 63/MAX</p>	<p>REL COMM TECHNOLOGIES, INC. 610 BEAM STREET SALISBURY, MD 21801</p>
1	ECN 2257	2/15/21	A.MAGDA	<p>THIS DRAWING AND SPECIFICATIONS ARE THE PROPERTY OF REL COMM TECHNOLOGIES AND SHALL NOT BE REPRODUCED OR COPIED OR USED IN WHOLE OR IN PART AS THE BASIS FOR THE MANUFACTURE OR SALE OF ITEMS WITHOUT WRITTEN PERMISSION.</p>	<p>RRDS-2S3DB-1</p>			
-	RELEASED	9/26/13	A.MAGDA		<p>DR B.JONES</p> <p>ENG M.MAGDA</p> <p>MFG QA</p>	<p>SIZE B</p> <p>SCALE 1:1</p>	<p>DO NOT SCALE DWG</p>	<p>SHEET 1 OF 1</p>