

# High Pass Filter

**6.6-17GHz**

- Flat Frequency Response
- Low Insertion Loss
- SMA Female Connectors



## RF Parameters

	Min	Typ.	Max	Unit
Frequency Range	6.6		17	GHz
Insertion Loss		0.8	1.0	dB
Pass Band Ripple		0.8	0.8	dB
VSWR		1.6	1.8	:1
Attenuation @DC-5.1GHz	50	55		dB
Power Handling			15	W
Connectors	SMA Female			
Impedance		50		Ohms

## Environmental

Operating Temperature	-55°C to +85°C
Storage Temperature	-55°C to +125°C
Humidity	100% RH at 35°C, 95% RH at 40°C
Altitude	30,000 Feet Max

Note 1: The specification provided is at nominal bias voltage and at 25°C unless otherwise specified.

Note 2: The specification is subject to regular reviews and will be updated from time to time as part of our continuing product development and improved spec accuracy.

Note 3: Operation beyond the quoted limits stated above may cause instantaneous and permanent damage.

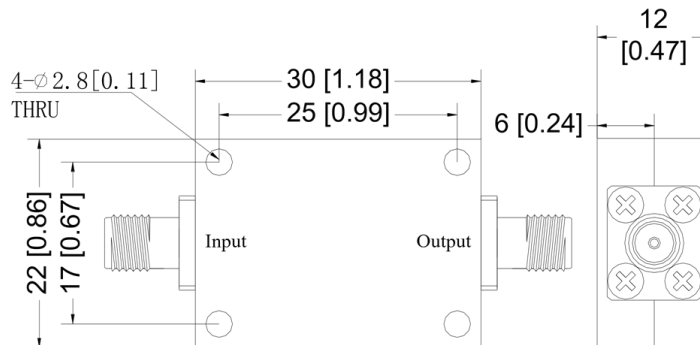


## Outline Drawing:

All dimensions are in mm [inches]

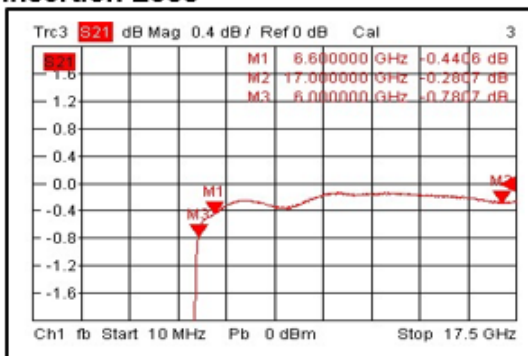
Outline Tolerances  $\pm 0.5$  [0.02]

Mounting Holes Tolerances  $\pm 0.2$  [0.008]

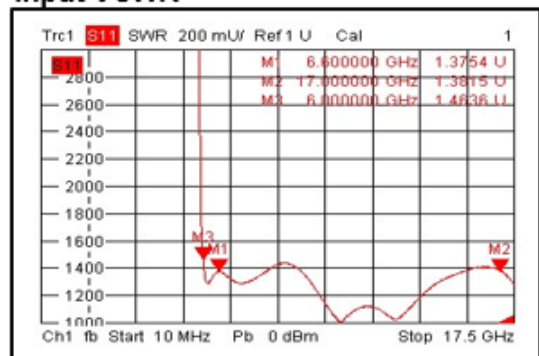


## S-Parameters in Graphs

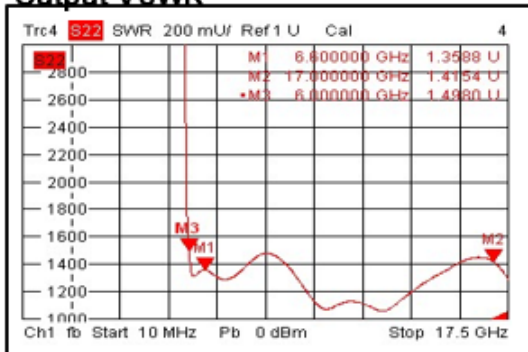
### Insertion Loss



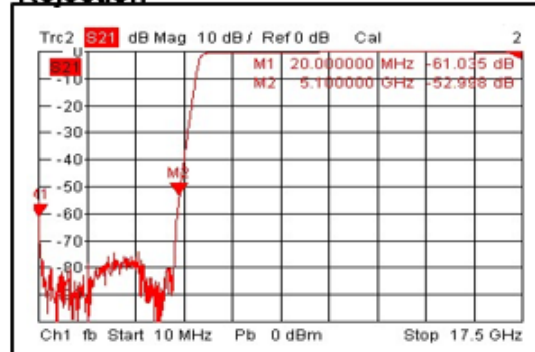
### Input VSWR



### Output VSWR



### Rejection



Note 1: The specification provided is at nominal bias voltage and at 25°C unless otherwise specified.

Note 2: The specification is subject to regular reviews and will be updated from time to time as part of our continuing product development and improved spec accuracy.

Note 3: Operation beyond the quoted limits stated above may cause instantaneous and permanent damage.

