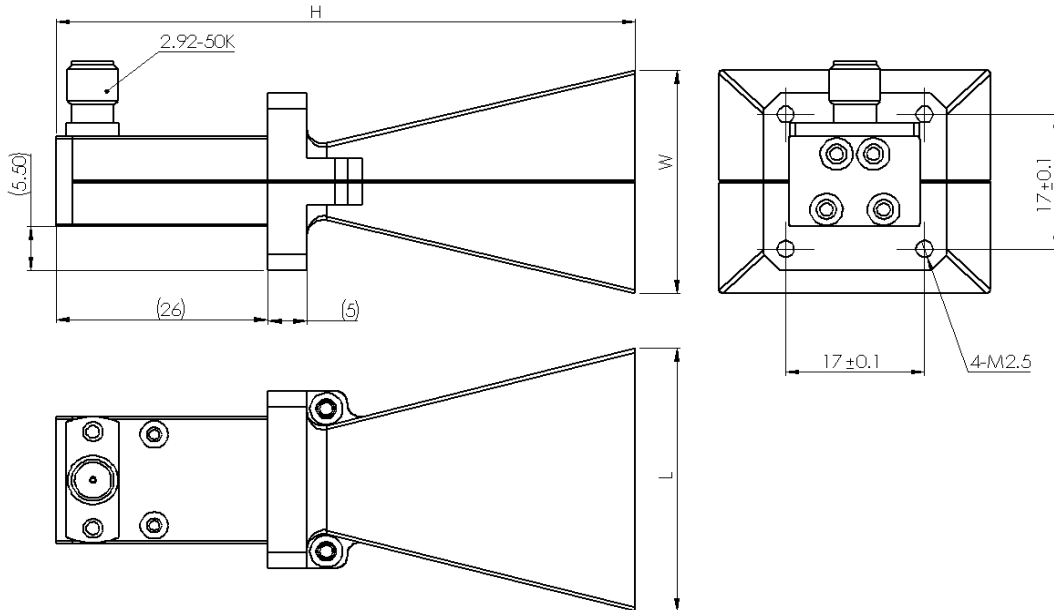


Double Ridged Horn Antenna

18~40GHz

Outline Drawing (Unit: mm)



RF SPECIFICATIONS	
Frequency Range	18~40GHz
VSWR	<2.0 (Typ.)
Polarization	Linear
3dB Beamwidth	15°~50°
Gain	≥12dBi
Power Handling (W)	30 Max
Dimension (LxWxH)	≤34 x 29 x 72
Operation Temperature	-55°C~+75°C
Surface Finish	Black Paint
Connector	2.92—F
Weight	≤150g
Location	Indoor

