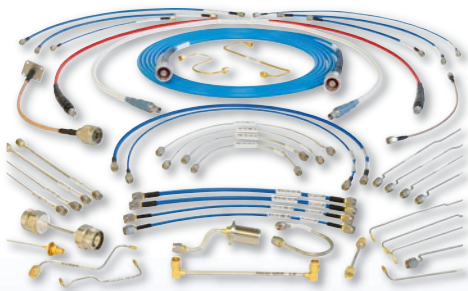




 **AtlantecRF**

RF and Microwave Solutions

# Coaxial Cable Assemblies, Adapters & Accessories



[www.atlantecrf.com](http://www.atlantecrf.com)



## INTRODUCTION

AtlanTecRF supplies a wide range of Coaxial Cable Assemblies for microwave and RF components and equipment, to the global marketplace. Many standard items are available from **stock**.

With over 30 years experience, we provide solutions to the aerospace, telecommunications, defence and scientific research sectors.

Sound engineering principles, innovative solutions, quality manufacturing, top value products and excellent customer service are all key ingredients, available from our headquarters and R&D base in Braintree, England and via representatives and distributors worldwide.

New products are regularly released and details are found on our website [www.atlantecrf.com](http://www.atlantecrf.com)



## RESEARCH & DEVELOPMENT

From our dedicated engineering centre the very latest technology is employed at an affordable cost to ensure our products have proven high reliability in service. Our design, test and measurement facilities include environmental and reliability chambers which are vital for the demanding requirements of the commercial, defence, aerospace and science sectors.



## OUR CAPABILITIES

- No set-up charges
- Ident sleeves
- Individual bagging and testing
- Phase-matching of sets
- High volume, low cost assemblies
- Stock available on many lines

## PRODUCT RANGE

- Formed, shaped semi-rigid
- Semi-flexible or fully flexible cabling
- Stainless steel semi-rigid
- Low PIM cable assemblies
- Cabling with additional strain relief
- Cabling to operate under high temperature or cryogenic conditions
- Delay lines
- RG cables

## Contents

### Cable Assemblies

ASR Series Semi-Rigid 0.086 Reformable Aluminium SMA Male Connectors DC-26.5GHz	4-5
ASR Series Semi-Rigid 0.141 Reformable Aluminium SMA Male Connectors DC-26.5GHz	6-7
ASF Series Semi-Flexible 0.086 Reformable Copper/Tin Composite SMA Male Connectors DC-26.5GHz	8-9
ASF Series Semi-Flexible 0.141 Reformable Copper/Tin Composite SMA Male Connectors DC-26.5GHz	10-11
AFX Series Flexible SMA Male Connectors 0.086 DC-26.5GHz	12-13
AFX Series Flexible SMA Male Connectors 0.141 DC-26.5GHz	14-15
ASR, ASF and AFX Series with Connector Variants DC-26.5GHz (subject to connector type)	16-17
ASF-LP Series Low PIM 0.086 Reformable Copper/Tin Composite SMA Male Connectors DC-18GHz	18-19
ASF-LP Series Low PIM 0.141 Reformable Copper/Tin Composite SMA Male Connectors DC-18GHz	20-21

### Test Cable Assemblies

ACG Series Small Diameter Coaxial Test Cables 0.141 DC-26.5GHz	22-23
ABC Series Ultra Flexible Coaxial Test Cables DC-26.5GHz (subject to connector type)	24-25
ACW Series Low Loss Flexible 26.5GHz (subject to connector type)	26-27
ACO Series Low Loss Flexible 40 GHz	28-29

### Adapters

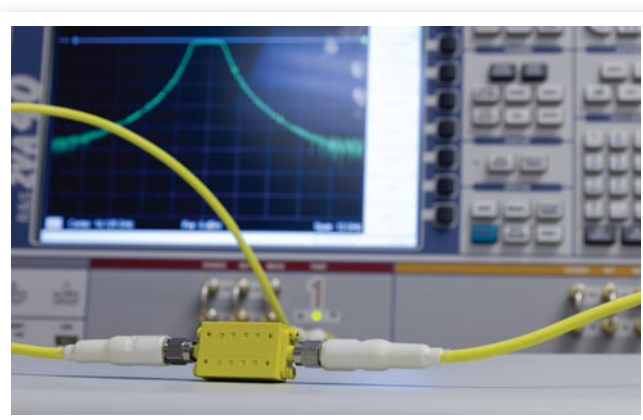
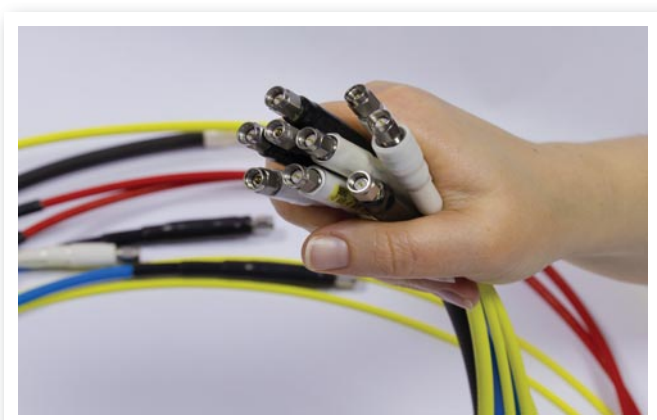
Coaxial Adapters – SMA & Type N Series DC-18GHz	30-32
---	-------

<b>Accessories:</b> Torque Wrenches	33
-------------------------------------	----

<b>Custom, Semi-Flex, Semi-Rigid &amp; Flexible Cables</b> various frequencies	34
--	----

<b>Terms &amp; Conditions</b>	35
-------------------------------	----

<b>Markets &amp; Map of Sales Locations Worldwide</b>	36
---	----



## Contents



# Coaxial Cable Assemblies

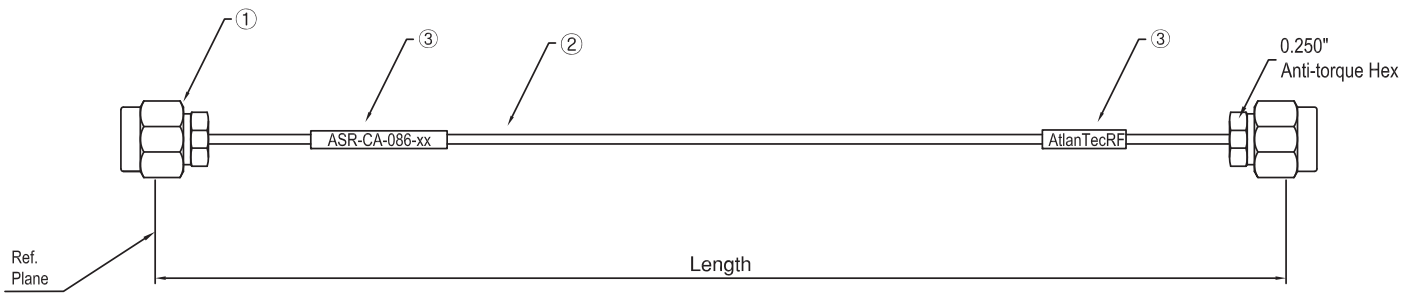
## Standard Lengths - ASR Series

### 0.086 Reformable Aluminium SMA Male Connectors

- DC-26.5GHz
- **STOCK** Availability
- Wide Choice of Lengths
- Reformable
- Anti-Torque Connectors
- Weight Saving
- Very Cost Effective



No.	Description
1	SMA Male Straight
2	Tin-plated Aluminium .086 cable
3	Marker (sliding) Shrink Tube (white)



AtlantecRF's ASR series of coaxial cable assemblies provides the microwave system designer with a versatile solution to equipment and sub-assembly cabling without the need for detailed design of semi-rigids. With a solid tin-plated aluminium outer conductor the cable can be hand formed in situ while maintaining performance essentially equivalent to formed copper semi-rigid of equivalent size and the high resistance to work-hardening allows for subsequent bend adjustments. The large range of **STOCK** lengths in standard assemblies will meet the requirements of most applications.

General Specifications	
Standard Lengths	2.0 to 60.0 inches
Length Increments	1.0 inches
Length Datum	Connector Reference Plane
Standard Connectors	SMA Male, Anti-torque, Stainless Steel to Mil-C-39012
Connector Interface	MIL-STD-348
Anti-torque hex	0.250 ins.
Impedance	50 ohms
Outer Conductor	Tin-plated Aluminium
Dielectric Material	PTFE
Centre Conductor Material	Silver Plated Copper-clad Steel
Insulation Resistance	1000 MegOhms min.
Withstand Voltage	1000 VRMS min.
Maximum CW Power	18 watts at 18 GHz
Maximum Peak Power	1250 watts
Velocity of Propagation	70% Nominal
Electrical Delay	120 picosec/inch
Shielding	100 dB min.
Minimum Bend Radius [at centre line]	0.13 ins. (3.3mm)
Operating Temp. Range	-65 to +105C
RoHS Compliant	

**Part Numbering:**

.086 Aluminium Reformable Assemblies with SMA Male Connectors  
 ASR-CA-086-XX where XX is the length in inches

Typical "Examples" of Performance (interpolate for in-between lengths)  
 Standard Assemblies with SMA Male Connectors

Example Part Number	Length (ins.)	Attenuation (dB)				VSWR(:1)			
		2.0 (GHz)	6.0 (GHz)	12.0 (GHz)	18.0 (GHz)	2.0 (GHz)	6.0 (GHz)	12.0 (GHz)	18.0 (GHz)
ASR-CA-086-02	2	0.12	0.20	0.29	0.38	1.10	1.17	1.20	1.30
ASR-CA-086-03	3	0.15	0.25	0.36	0.46	1.10	1.17	1.20	1.30
ASR-CA-086-04	4	0.17	0.30	0.42	0.55	1.10	1.17	1.20	1.30
ASR-CA-086-05	5	0.20	0.34	0.49	0.64	1.10	1.17	1.20	1.30
ASR-CA-086-06	6	0.22	0.39	0.56	0.72	1.10	1.17	1.20	1.30
ASR-CA-086-07	7	0.25	0.43	0.63	0.81	1.10	1.17	1.20	1.30
ASR-CA-086-08	8	0.27	0.48	0.69	0.89	1.10	1.17	1.20	1.30
ASR-CA-086-09	9	0.30	0.52	0.76	0.98	1.10	1.17	1.20	1.30
ASR-CA-086-10	10	0.32	0.57	0.83	1.06	1.10	1.17	1.20	1.30
ASR-CA-086-11	11	0.35	0.62	0.90	1.15	1.10	1.17	1.20	1.30
ASR-CA-086-12	12	0.37	0.66	0.96	1.24	1.10	1.17	1.20	1.30
ASR-CA-086-13	13	0.40	0.71	1.03	1.32	1.10	1.17	1.20	1.30
ASR-CA-086-14	14	0.42	0.75	1.10	1.41	1.10	1.17	1.20	1.30
ASR-CA-086-15	15	0.45	0.80	1.17	1.49	1.10	1.17	1.20	1.30
ASR-CA-086-16	16	0.47	0.84	1.23	1.58	1.10	1.17	1.20	1.30
ASR-CA-086-17	17	0.50	0.89	1.30	1.66	1.10	1.17	1.20	1.30
ASR-CA-086-18	18	0.52	0.94	1.37	1.75	1.10	1.17	1.20	1.30
ASR-CA-086-19	19	0.55	0.98	1.44	1.83	1.10	1.17	1.20	1.30
ASR-CA-086-20	20	0.57	1.03	1.50	1.92	1.10	1.17	1.20	1.30
ASR-CA-086-21	21	0.60	1.07	1.57	2.01	1.10	1.17	1.20	1.30
ASR-CA-086-22	22	0.62	1.12	1.64	2.09	1.10	1.17	1.20	1.30
ASR-CA-086-23	23	0.65	1.16	1.71	2.18	1.10	1.17	1.20	1.30
ASR-CA-086-24	24	0.67	1.21	1.77	2.26	1.10	1.17	1.20	1.30
ASR-CA-086-25	25	0.70	1.25	1.84	2.35	1.10	1.17	1.20	1.30
ASR-CA-086-26	26	0.73	1.30	1.91	2.43	1.10	1.17	1.20	1.30
ASR-CA-086-27	27	0.75	1.35	1.98	2.52	1.10	1.17	1.20	1.30
ASR-CA-086-28	28	0.78	1.39	2.04	2.61	1.10	1.17	1.20	1.30
ASR-CA-086-29	29	0.80	1.44	2.11	2.69	1.10	1.17	1.20	1.30
ASR-CA-086-30	30	0.83	1.48	2.18	2.78	1.10	1.17	1.20	1.30
ASR-CA-086-31	31	0.85	1.53	2.25	2.86	1.10	1.17	1.20	1.30
ASR-CA-086-32	32	0.88	1.57	2.32	2.95	1.10	1.17	1.20	1.30
ASR-CA-086-33	33	0.90	1.62	2.38	3.03	1.10	1.17	1.20	1.30
ASR-CA-086-34	34	0.93	1.67	2.45	3.12	1.10	1.17	1.20	1.30
ASR-CA-086-35	35	0.95	1.71	2.52	3.21	1.10	1.17	1.20	1.30
ASR-CA-086-36	36	0.98	1.76	2.59	3.29	1.15	1.25	1.30	1.35
ASR-CA-086-37	37	1.00	1.80	2.65	3.38	1.15	1.25	1.30	1.35
ASR-CA-086-38	38	1.03	1.85	2.72	3.46	1.15	1.25	1.30	1.35
ASR-CA-086-39	39	1.05	1.89	2.79	3.55	1.15	1.25	1.30	1.35
ASR-CA-086-40	40	1.08	1.94	2.86	3.63	1.15	1.25	1.30	1.35
ASR-CA-086-41	41	1.10	1.98	2.92	3.72	1.15	1.25	1.30	1.35
ASR-CA-086-42	42	1.13	2.03	2.99	3.80	1.15	1.25	1.30	1.35
ASR-CA-086-43	43	1.15	2.08	3.06	3.89	1.15	1.25	1.30	1.35
ASR-CA-086-44	44	1.18	2.12	3.13	3.98	1.15	1.25	1.30	1.35
ASR-CA-086-45	45	1.20	2.17	3.19	4.06	1.15	1.25	1.30	1.35
ASR-CA-086-46	46	1.23	2.21	3.26	4.15	1.15	1.25	1.30	1.35
ASR-CA-086-47	47	1.25	2.26	3.33	4.23	1.15	1.25	1.30	1.35
ASR-CA-086-48	48	1.28	2.30	3.40	4.32	1.15	1.25	1.30	1.35

**Options**

The following are also available but not necessarily from stock:

- Alternative Connectors – SMA Female, Type N, SMP, 2.92mm - Bulkhead, Panel Mount, Right Angle
- Custom Assembly Lengths
- Ident Sleeves, Outer FEP Jacket

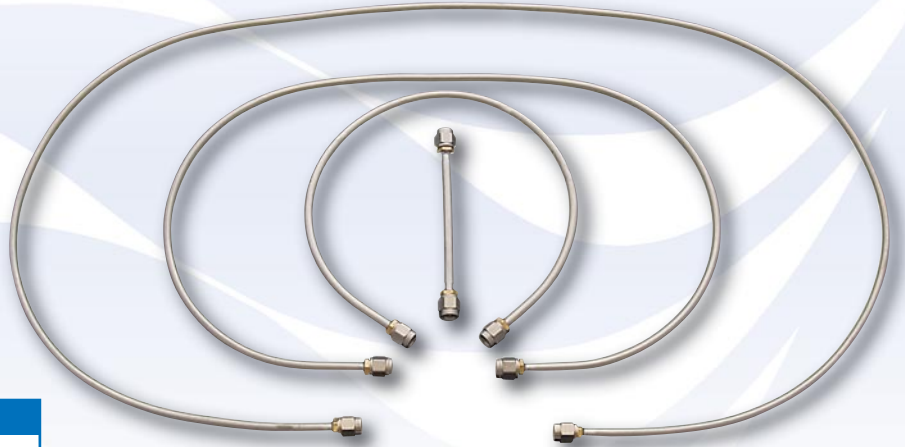
We reserve the right to change standard product specifications without notice but will be pleased to consider control drawings for quotation.

# Coaxial Cable Assemblies

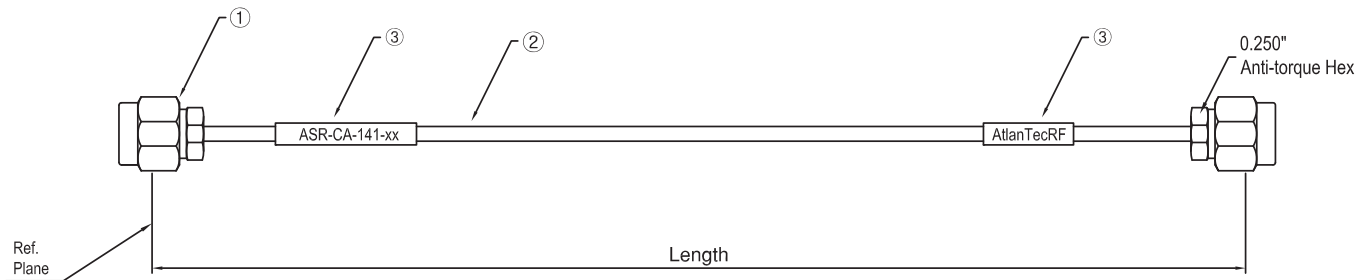
## Standard Lengths - ASR Series

### 0.141 Reformable Aluminium SMA Male Connectors

- DC-26.5GHz
- **STOCK** Availability
- Wide Choice of Lengths
- Reformable
- Anti-Torque Connectors
- Weight Saving
- Very Cost Effective



No.	Description
1	SMA Male Straight
2	Tin-plated Aluminium .141 cable
3	Marker (sliding) Shrink Tube (white)



AtlantecRF's ASR series of coaxial cable assemblies provides the microwave system designer with a versatile solution to equipment and sub-assembly cabling without the need for detailed design of semi-rigids. With a solid tin-plated aluminium outer conductor the cable can be hand formed in situ while maintaining performance essentially equivalent to formed copper semi-rigid of equivalent size and the high resistance to work-hardening allows for subsequent bend adjustments. The large range of **STOCK** lengths in standard assemblies will meet the requirements of most applications.

General Specifications	
Standard Lengths	2.0 to 60.0 inches
Length Increments	1.0 inches
Length Datum	Connector Reference Plane
Standard Connectors	SMA Male, Anti-torque, Stainless Steel to Mil-C-39012
Connector Interface	MIL-STD-348
Anti-torque hex	0.250 ins.
Impedance	50 ohms
Outer Conductor	Tin-plated Aluminium
Dielectric Material	PTFE
Centre Conductor Material	Silver Plated Copper-clad Steel
Insulation Resistance	1000 MegOhms min.
Withstand Voltage	1000 VRMS min.
Maximum CW Power	40 watts at 18 GHz
Maximum Peak Power	1250 watts
Velocity of Propagation	70% Nominal
Electrical Delay	120 picosec/inch
Shielding	100 dB min.
Minimum Bend Radius [at centre line]	0.15 ins. (3.8mm)
Operating Temp. Range	-65 to +105C
RoHS Compliant	

**Part Numbering:**

.141 Aluminium Reformable Assemblies with SMA Male Connectors  
 ASR-CA-141-XX where XX is the length in inches

Typical "Examples" of Performance (interpolate for in-between lengths)  
 Standard Assemblies with SMA Male Connectors

Example Part Number	Length (ins.)	Attenuation (dB)				VSWR(:1)			
		2.0 (GHz)	6.0 (GHz)	12.0 (GHz)	18.0 (GHz)	2.0 (GHz)	6.0 (GHz)	12.0 (GHz)	18.0 (GHz)
ASR-CA-141-02	2	0.10	0.17	0.24	0.32	1.10	1.17	1.20	1.30
ASR-CA-141-03	3	0.12	0.20	0.28	0.37	1.10	1.17	1.20	1.30
ASR-CA-141-04	4	0.13	0.23	0.32	0.43	1.10	1.17	1.20	1.30
ASR-CA-141-05	5	0.15	0.25	0.37	0.48	1.10	1.17	1.20	1.30
ASR-CA-141-06	6	0.16	0.28	0.41	0.54	1.10	1.17	1.20	1.30
ASR-CA-141-07	7	0.18	0.31	0.45	0.59	1.10	1.17	1.20	1.30
ASR-CA-141-08	8	0.19	0.34	0.49	0.65	1.10	1.17	1.20	1.30
ASR-CA-141-09	9	0.21	0.37	0.54	0.70	1.10	1.17	1.20	1.30
ASR-CA-141-10	10	0.22	0.39	0.58	0.76	1.10	1.17	1.20	1.30
ASR-CA-141-11	11	0.24	0.42	0.62	0.81	1.10	1.17	1.20	1.30
ASR-CA-141-12	12	0.25	0.45	0.66	0.87	1.10	1.17	1.20	1.30
ASR-CA-141-13	13	0.27	0.48	0.71	0.92	1.10	1.17	1.20	1.30
ASR-CA-141-14	14	0.28	0.51	0.75	0.98	1.10	1.17	1.20	1.30
ASR-CA-141-15	15	0.30	0.53	0.79	1.03	1.10	1.17	1.20	1.30
ASR-CA-141-16	16	0.31	0.56	0.83	1.09	1.10	1.17	1.20	1.30
ASR-CA-141-17	17	0.33	0.59	0.88	1.14	1.10	1.17	1.20	1.30
ASR-CA-141-18	18	0.34	0.62	0.92	1.20	1.10	1.17	1.20	1.30
ASR-CA-141-19	19	0.36	0.65	0.96	1.25	1.10	1.17	1.20	1.30
ASR-CA-141-20	20	0.37	0.67	1.00	1.31	1.10	1.17	1.20	1.30
ASR-CA-141-21	21	0.39	0.70	1.05	1.36	1.10	1.17	1.20	1.30
ASR-CA-141-22	22	0.40	0.73	1.09	1.42	1.10	1.17	1.20	1.30
ASR-CA-141-23	23	0.42	0.76	1.13	1.47	1.10	1.17	1.20	1.30
ASR-CA-141-24	24	0.43	0.79	1.17	1.53	1.10	1.17	1.20	1.30
ASR-CA-141-25	25	0.45	0.81	1.22	1.58	1.10	1.17	1.20	1.30
ASR-CA-141-26	26	0.46	0.84	1.26	1.63	1.10	1.17	1.20	1.30
ASR-CA-141-27	27	0.48	0.87	1.30	1.69	1.10	1.17	1.20	1.30
ASR-CA-141-28	28	0.49	0.90	1.34	1.74	1.10	1.17	1.20	1.30
ASR-CA-141-29	29	0.51	0.93	1.39	1.80	1.10	1.17	1.20	1.30
ASR-CA-141-30	30	0.52	0.95	1.43	1.85	1.10	1.17	1.20	1.30
ASR-CA-141-31	31	0.54	0.98	1.47	1.91	1.10	1.17	1.20	1.30
ASR-CA-141-32	32	0.55	1.01	1.51	1.96	1.10	1.17	1.20	1.30
ASR-CA-141-33	33	0.57	1.04	1.56	2.02	1.10	1.17	1.20	1.30
ASR-CA-141-34	34	0.58	1.07	1.60	2.07	1.10	1.17	1.20	1.30
ASR-CA-141-35	35	0.60	1.09	1.64	2.13	1.10	1.17	1.20	1.30
ASR-CA-141-36	36	0.61	1.12	1.68	2.18	1.15	1.25	1.30	1.35
ASR-CA-141-37	37	0.63	1.15	1.73	2.24	1.15	1.25	1.30	1.35
ASR-CA-141-38	38	0.64	1.18	1.77	2.29	1.15	1.25	1.30	1.35
ASR-CA-141-39	39	0.66	1.21	1.81	2.35	1.15	1.25	1.30	1.35
ASR-CA-141-40	40	0.67	1.23	1.85	2.40	1.15	1.25	1.30	1.35
ASR-CA-141-41	41	0.69	1.26	1.90	2.46	1.15	1.25	1.30	1.35
ASR-CA-141-42	42	0.70	1.29	1.94	2.51	1.15	1.25	1.30	1.35
ASR-CA-141-43	43	0.72	1.32	1.98	2.57	1.15	1.25	1.30	1.35
ASR-CA-141-44	44	0.73	1.35	2.03	2.62	1.15	1.25	1.30	1.35
ASR-CA-141-45	45	0.75	1.37	2.07	2.68	1.15	1.25	1.30	1.35
ASR-CA-141-46	46	0.76	1.40	2.11	2.73	1.15	1.25	1.30	1.35
ASR-CA-141-47	47	0.78	1.43	2.15	2.79	1.15	1.25	1.30	1.35
ASR-CA-141-48	48	0.79	1.46	2.20	2.84	1.15	1.25	1.30	1.35
ASR-CA-141-49	49	0.81	1.49	2.24	2.90	1.15	1.25	1.30	1.35
ASR-CA-141-50	50	0.82	1.51	2.28	2.95	1.15	1.25	1.30	1.35
ASR-CA-141-51	51	0.84	1.54	2.32	3.01	1.15	1.25	1.30	1.35
ASR-CA-141-54	54	0.88	1.63	2.45	3.17	1.15	1.25	1.30	1.35
ASR-CA-141-55	55	0.90	1.65	2.49	3.23	1.15	1.25	1.30	1.35
ASR-CA-141-60	60	0.97	1.79	2.71	3.50	1.15	1.25	1.30	1.35

**Options**

The following are also available but not necessarily from stock:

- Alternative Connectors – SMA Female, Type N, SMP, 2.92mm - Bulkhead, Panel Mount, Right Angle
- Custom Assembly Lengths
- Ident Sleeves, Outer FEP Jacket

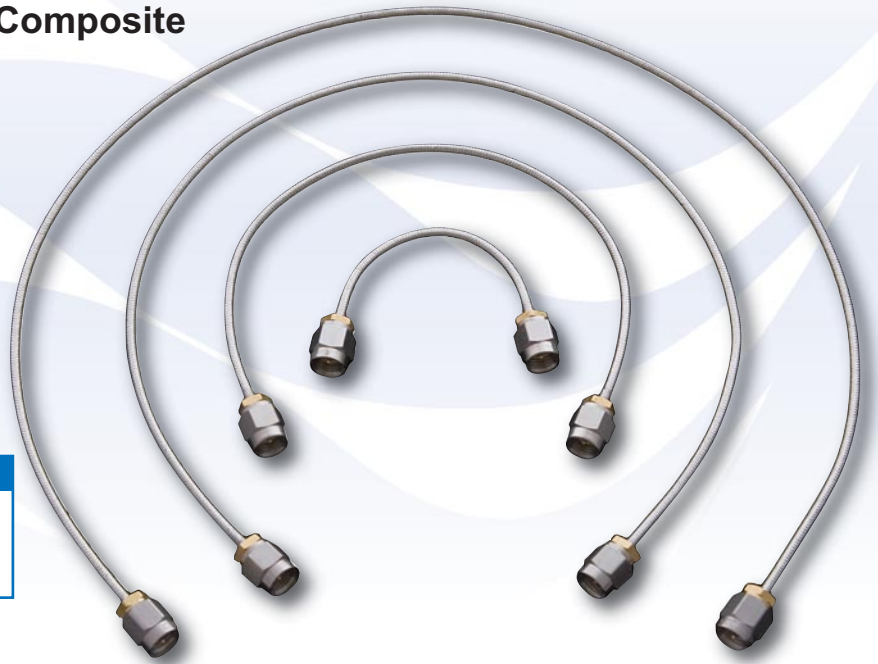
We reserve the right to change standard product specifications without notice but will be pleased to consider control drawings for quotation.

# Coaxial Cable Assemblies

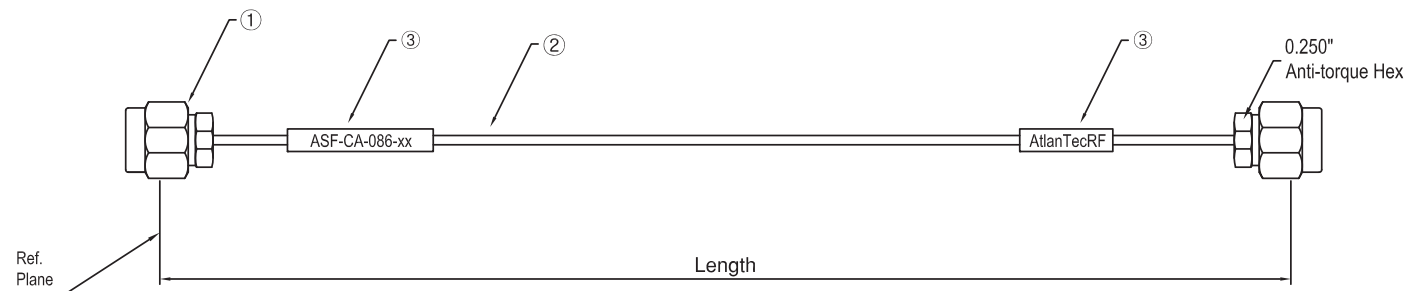
## Standard Lengths - ASF Series

### 0.086 Reformable Copper/Tin Composite SMA Male Connectors

- DC-26.5GHz
- **STOCK** Availability
- Wide Choice of Lengths
- Reformable
- Anti-Torque Connectors
- Weight Saving
- Very Cost Effective



No.	Description
1	SMA Male Straight
2	Copper/Tin Composite .086 cable
3	Marker (sliding) Shrink Tube (white)



AtlantecRF's ASF series of coaxial cable assemblies provides the microwave system designer with a versatile solution to equipment and sub-assembly cabling without the need for detailed design of semi-rigids. With a copper/tin composite outer conductor the cable can be hand formed in situ while maintaining performance essentially similar to formed copper semi-rigid of equivalent size and the high resistance to work-hardening allows for subsequent bend adjustments. The large range of **STOCK** lengths in standard assemblies will meet the requirements of most applications.

General Specifications	
Standard Lengths	2.0 to 60.0 inches
Length Increments	1.0 inches
Length Datum	Connector Reference Plane
Standard Connectors	SMA Male, Anti-torque, Stainless Steel to Mil-C-39012
Connector Interface	MIL-STD-348
Anti-torque hex	0.250 ins.
Impedance	50 ohms
Outer Conductor	Copper/Tin Composite
Dielectric Material	PTFE
Centre Conductor Material	Silver Plated Copper-clad Steel
Insulation Resistance	1000 MegOhms min.
Withstand Voltage	1000 VRMS min.
Maximum CW Power	15 watts at 18 GHz
Maximum Peak Power	1250 watts
Velocity of Propagation	70% Nominal
Electrical Delay	120 picosec/inch
Shielding	100 dB min.
Minimum Bend Radius [at centre line]	0.13 ins. (3.3mm)
Operating Temp. Range	-50 to +105C
RoHS Compliant	



**Part Numbering:**

.086 Copper/Tin Composite Reformable Assemblies with SMA Male Connectors  
 ASF-CA-086-XX where XX is the length in inches

Typical "Examples" of Performance (interpolate for in-between lengths)  
 Standard Assemblies with SMA Male Connectors

Example Part Number	Length (ins.)	Attenuation (dB)				VSWR(:1)			
		2.0 (GHz)	6.0 (GHz)	12.0 (GHz)	18.0 (GHz)	2.0 (GHz)	6.0 (GHz)	12.0 (GHz)	18.0 (GHz)
ASF-CA-086-02	2	0.13	0.22	0.31	0.40	1.10	1.17	1.20	1.30
ASF-CA-086-03	3	0.16	0.27	0.38	0.50	1.10	1.17	1.20	1.30
ASF-CA-086-04	4	0.18	0.32	0.46	0.60	1.10	1.17	1.20	1.30
ASF-CA-086-05	5	0.21	0.37	0.53	0.69	1.10	1.17	1.20	1.30
ASF-CA-086-06	6	0.24	0.42	0.61	0.79	1.10	1.17	1.20	1.30
ASF-CA-086-07	7	0.27	0.47	0.69	0.89	1.10	1.17	1.20	1.30
ASF-CA-086-08	8	0.29	0.52	0.76	0.99	1.10	1.17	1.20	1.30
ASF-CA-086-09	9	0.32	0.57	0.84	1.08	1.10	1.17	1.20	1.30
ASF-CA-086-10	10	0.35	0.62	0.92	1.18	1.10	1.17	1.20	1.30
ASF-CA-086-11	11	0.38	0.67	0.99	1.28	1.10	1.17	1.20	1.30
ASF-CA-086-12	12	0.40	0.72	1.07	1.38	1.10	1.17	1.20	1.30
ASF-CA-086-13	13	0.43	0.77	1.14	1.47	1.10	1.17	1.20	1.30
ASF-CA-086-14	14	0.46	0.83	1.22	1.57	1.10	1.17	1.20	1.30
ASF-CA-086-15	15	0.49	0.88	1.30	1.67	1.10	1.17	1.20	1.30
ASF-CA-086-16	16	0.51	0.93	1.37	1.77	1.10	1.17	1.20	1.30
ASF-CA-086-17	17	0.54	0.98	1.45	1.86	1.10	1.17	1.20	1.30
ASF-CA-086-18	18	0.57	1.03	1.52	1.96	1.10	1.17	1.20	1.30
ASF-CA-086-19	19	0.60	1.08	1.60	2.06	1.10	1.17	1.20	1.30
ASF-CA-086-20	20	0.62	1.13	1.68	2.15	1.10	1.17	1.20	1.30
ASF-CA-086-21	21	0.65	1.18	1.75	2.25	1.10	1.17	1.20	1.30
ASF-CA-086-22	22	0.68	1.23	1.83	2.35	1.10	1.17	1.20	1.30
ASF-CA-086-23	23	0.71	1.28	1.91	2.45	1.10	1.17	1.20	1.30
ASF-CA-086-24	24	0.74	1.33	1.98	2.54	1.10	1.17	1.20	1.30
ASF-CA-086-25	25	0.76	1.39	2.06	2.64	1.15	1.25	1.30	1.35
ASF-CA-086-26	26	0.79	1.44	2.13	2.74	1.15	1.25	1.30	1.35
ASF-CA-086-27	27	0.82	1.49	2.21	2.84	1.15	1.25	1.30	1.35
ASF-CA-086-28	28	0.85	1.54	2.29	2.93	1.15	1.25	1.30	1.35
ASF-CA-086-29	29	0.87	1.59	2.36	3.03	1.15	1.25	1.30	1.35
ASF-CA-086-30	30	0.90	1.64	2.44	3.13	1.15	1.25	1.30	1.35
ASF-CA-086-31	31	0.93	1.69	2.51	3.23	1.15	1.25	1.30	1.35
ASF-CA-086-32	32	0.96	1.74	2.59	3.32	1.15	1.25	1.30	1.35
ASF-CA-086-33	33	0.98	1.79	2.67	3.42	1.15	1.25	1.30	1.35
ASF-CA-086-34	34	1.01	1.84	2.74	3.52	1.15	1.25	1.30	1.35
ASF-CA-086-35	35	1.04	1.89	2.82	3.62	1.15	1.25	1.30	1.35
ASF-CA-086-36	36	1.07	1.95	2.90	3.71	1.15	1.25	1.30	1.35
ASF-CA-086-37	37	1.09	2.00	2.97	3.81	1.18	1.28	1.35	1.40
ASF-CA-086-38	38	1.12	2.05	3.05	3.91	1.18	1.28	1.35	1.40
ASF-CA-086-39	39	1.15	2.10	3.12	4.00	1.18	1.28	1.35	1.40
ASF-CA-086-40	40	1.18	2.15	3.20	4.10	1.18	1.28	1.35	1.40
ASF-CA-086-41	41	1.21	2.20	3.28	4.20	1.18	1.28	1.35	1.40
ASF-CA-086-42	42	1.23	2.25	3.35	4.30	1.18	1.28	1.35	1.40
ASF-CA-086-43	43	1.26	2.30	3.43	4.39	1.18	1.28	1.35	1.40
ASF-CA-086-44	44	1.29	2.35	3.50	4.49	1.18	1.28	1.35	1.40
ASF-CA-086-45	45	1.32	2.40	3.58	4.59	1.18	1.28	1.35	1.40
ASF-CA-086-46	46	1.34	2.45	3.66	4.69	1.18	1.28	1.35	1.40
ASF-CA-086-47	47	1.37	2.50	3.73	4.78	1.18	1.28	1.35	1.40
ASF-CA-086-48	48	1.40	2.56	3.81	4.88	1.18	1.28	1.35	1.40
ASF-CA-086-54	54	1.56	2.86	4.27	5.47	1.18	1.28	1.35	1.40
ASF-CA-086-60	60	1.73	3.17	4.72	6.05	1.18	1.28	1.35	1.40

**Options**

The following are also available but not necessarily from stock:

- Alternative Connectors – SMA Female, Type N, SMP, 2.92mm - Bulkhead, Panel Mount, Right Angle
- Custom Assembly Lengths
- Ident Sleeves, Outer FEP Jacket

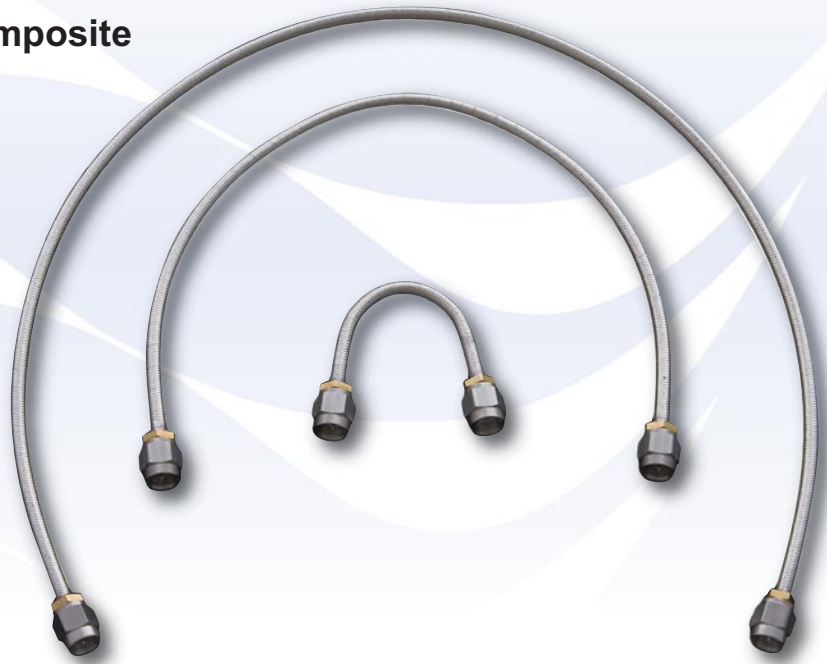
We reserve the right to change standard product specifications without notice but will be pleased to consider control drawings for quotation.

# Coaxial Cable Assemblies

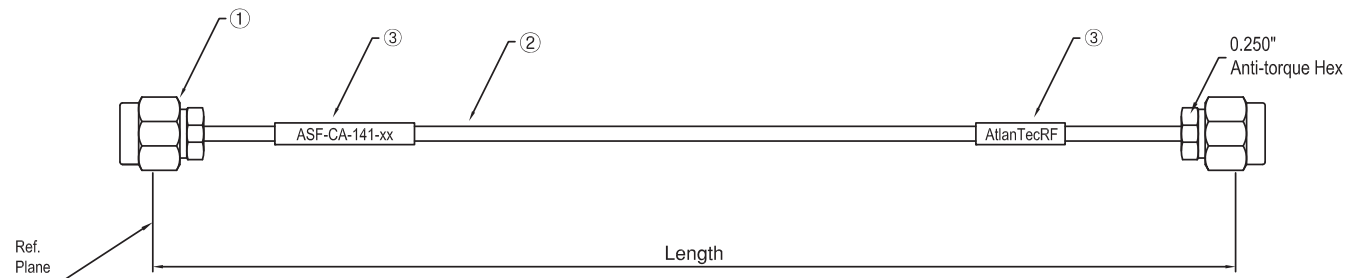
## Standard Lengths - ASF Series

### 0.141 Reformable Copper/Tin Composite SMA Male Connectors

- DC-26.5GHz
- **STOCK** Availability
- Wide Choice of Lengths
- Reformable
- Anti-Torque Connectors
- Weight Saving
- Very Cost Effective



No.	Description
1	SMA Male Straight
2	Copper/Tin Composite .141 cable
3	Marker (sliding) Shrink Tube (white)



AtlantecRF's ASF series of coaxial cable assemblies provides the microwave system designer with a versatile solution to equipment and sub-assembly cabling without the need for detailed design of semi-rigids.

With a copper/tin composite outer conductor the cable can be hand formed in situ while maintaining performance essentially similar to formed copper semi-rigid of equivalent size and the high resistance to work-hardening allows for subsequent bend adjustments. The large range of **STOCK** lengths in standard assemblies will meet the requirements of most applications.

General Specifications	
Standard Lengths	2.0 to 60.0 inches
Length Increments	1.0 inches
Length Datum	Connector Reference Plane
Standard Connectors	SMA Male, Anti-torque, Stainless Steel to Mil-C-39012
Connector Interface	MIL-STD-348
Anti-torque hex	0.250 ins.
Impedance	50 ohms
Outer Conductor	Copper/Tin Composite
Dielectric Material	PTFE
Centre Conductor Material	Silver Plated Copper-clad Steel
Insulation Resistance	1000 MegOhms min.
Withstand Voltage	1000 VRMS min.
Maximum CW Power	36 watts at 18 GHz
Maximum Peak Power	1250 watts
Velocity of Propagation	70% Nominal
Electrical Delay	120 picosec/inch
Shielding	100 dB min.
Minimum Bend Radius [at centre line]	0.19 ins. (4.8mm)
Operating Temp. Range	-50 to +105C
RoHS Compliant	

**Part Numbering:**

.141 Copper/Tin Composite Reformable Assemblies with SMA Male Connectors  
 ASF-CA-141-XX where XX is the length in inches

Typical "Examples" of Performance (interpolate for in-between lengths)  
 Standard Assemblies with SMA Male Connectors

Example Part Number	Length (ins.)	Attenuation (dB)				VSWR(:1)			
		2.0 (GHz)	6.0 (GHz)	12.0 (GHz)	18.0 (GHz)	2.0 (GHz)	6.0 (GHz)	12.0 (GHz)	18.0 (GHz)
ASF-CA-141-02	2	0.10	0.17	0.25	0.33	1.10	1.17	1.20	1.30
ASF-CA-141-03	3	0.12	0.20	0.29	0.39	1.10	1.17	1.20	1.30
ASF-CA-141-04	4	0.14	0.23	0.34	0.45	1.10	1.17	1.20	1.30
ASF-CA-141-05	5	0.15	0.27	0.39	0.51	1.10	1.17	1.20	1.30
ASF-CA-141-06	6	0.17	0.30	0.43	0.57	1.10	1.17	1.20	1.30
ASF-CA-141-07	7	0.18	0.33	0.48	0.63	1.10	1.17	1.20	1.30
ASF-CA-141-08	8	0.20	0.36	0.53	0.69	1.10	1.17	1.20	1.30
ASF-CA-141-09	9	0.22	0.39	0.57	0.75	1.10	1.17	1.20	1.30
ASF-CA-141-10	10	0.23	0.42	0.62	0.82	1.10	1.17	1.20	1.30
ASF-CA-141-11	11	0.25	0.45	0.67	0.88	1.10	1.17	1.20	1.30
ASF-CA-141-12	12	0.26	0.48	0.71	0.94	1.10	1.17	1.20	1.30
ASF-CA-141-13	13	0.28	0.51	0.76	1.00	1.10	1.17	1.20	1.30
ASF-CA-141-14	14	0.30	0.54	0.81	1.06	1.10	1.17	1.20	1.30
ASF-CA-141-15	15	0.31	0.57	0.86	1.12	1.10	1.17	1.20	1.30
ASF-CA-141-16	16	0.33	0.60	0.90	1.18	1.10	1.17	1.20	1.30
ASF-CA-141-17	17	0.34	0.63	0.95	1.24	1.10	1.17	1.20	1.30
ASF-CA-141-18	18	0.36	0.66	1.00	1.30	1.10	1.17	1.20	1.30
ASF-CA-141-19	19	0.38	0.69	1.04	1.36	1.10	1.17	1.20	1.30
ASF-CA-141-20	20	0.39	0.72	1.09	1.42	1.10	1.17	1.20	1.30
ASF-CA-141-21	21	0.41	0.75	1.14	1.48	1.10	1.17	1.20	1.30
ASF-CA-141-22	22	0.42	0.78	1.18	1.54	1.10	1.17	1.20	1.30
ASF-CA-141-23	23	0.44	0.81	1.23	1.63	1.10	1.17	1.20	1.30
ASF-CA-141-24	24	0.46	0.84	1.28	1.67	1.10	1.17	1.20	1.30
ASF-CA-141-25	25	0.47	0.87	1.32	1.73	1.10	1.17	1.20	1.30
ASF-CA-141-26	26	0.49	0.90	1.37	1.79	1.10	1.17	1.20	1.30
ASF-CA-141-27	27	0.50	0.93	1.42	1.85	1.10	1.17	1.20	1.30
ASF-CA-141-28	28	0.52	0.96	1.46	1.91	1.10	1.17	1.20	1.30
ASF-CA-141-29	29	0.54	0.99	1.51	1.97	1.10	1.17	1.20	1.30
ASF-CA-141-30	30	0.55	1.02	1.56	2.03	1.10	1.17	1.20	1.30
ASF-CA-141-31	31	0.57	1.06	1.60	2.09	1.10	1.17	1.20	1.30
ASF-CA-141-32	32	0.58	1.09	1.65	2.15	1.10	1.17	1.20	1.30
ASF-CA-141-33	33	0.60	1.12	1.70	2.21	1.10	1.17	1.20	1.30
ASF-CA-141-34	34	0.62	1.15	1.74	2.27	1.10	1.17	1.20	1.30
ASF-CA-141-35	35	0.63	1.18	1.79	2.34	1.10	1.17	1.20	1.30
ASF-CA-141-36	36	0.65	1.21	1.84	2.40	1.10	1.17	1.20	1.30
ASF-CA-141-37	37	0.66	1.24	1.88	2.46	1.10	1.17	1.20	1.30
ASF-CA-141-38	38	0.68	1.27	1.93	2.52	1.10	1.17	1.20	1.30
ASF-CA-141-39	39	0.70	1.30	1.98	2.58	1.10	1.17	1.20	1.30
ASF-CA-141-40	40	0.71	1.33	2.02	2.64	1.10	1.17	1.20	1.30
ASF-CA-141-41	41	0.73	1.36	2.07	2.70	1.10	1.17	1.20	1.30
ASF-CA-141-42	42	0.74	1.39	2.12	2.76	1.10	1.17	1.20	1.30
ASF-CA-141-43	43	0.76	1.42	2.16	2.82	1.10	1.17	1.20	1.30
ASF-CA-141-44	44	0.77	1.45	2.21	2.88	1.10	1.17	1.20	1.30
ASF-CA-141-45	45	0.79	1.48	2.26	2.94	1.10	1.17	1.20	1.30
ASF-CA-141-46	46	0.81	1.51	2.30	3.00	1.10	1.17	1.20	1.30
ASF-CA-141-47	47	0.82	1.54	2.35	3.07	1.10	1.17	1.20	1.30
ASF-CA-141-48	48	0.84	1.57	2.40	3.13	1.10	1.17	1.20	1.30
ASF-CA-141-49	49	0.85	1.60	2.44	3.19	1.10	1.17	1.20	1.30
ASF-CA-141-50	50	0.87	1.63	2.49	3.25	1.10	1.17	1.20	1.30
ASF-CA-141-52	52	0.90	1.69	2.58	3.37	1.10	1.17	1.20	1.30
ASF-CA-141-54	54	0.93	1.75	2.68	3.49	1.10	1.17	1.20	1.30
ASF-CA-141-56	56	0.97	1.81	2.77	3.61	1.10	1.17	1.20	1.30
ASF-CA-141-58	58	1.00	1.88	2.87	3.73	1.10	1.17	1.20	1.30
ASF-CA-141-60	60	1.03	1.94	2.96	3.86	1.10	1.17	1.20	1.30

**Options**

The following are also available but not necessarily from stock:

- Alternative Connectors – SMA Female, Type N, SMP, 2.92mm - Bulkhead, Panel Mount, Right Angle
- Custom Assembly Lengths
- Ident Sleeves, Outer FEP Jacket

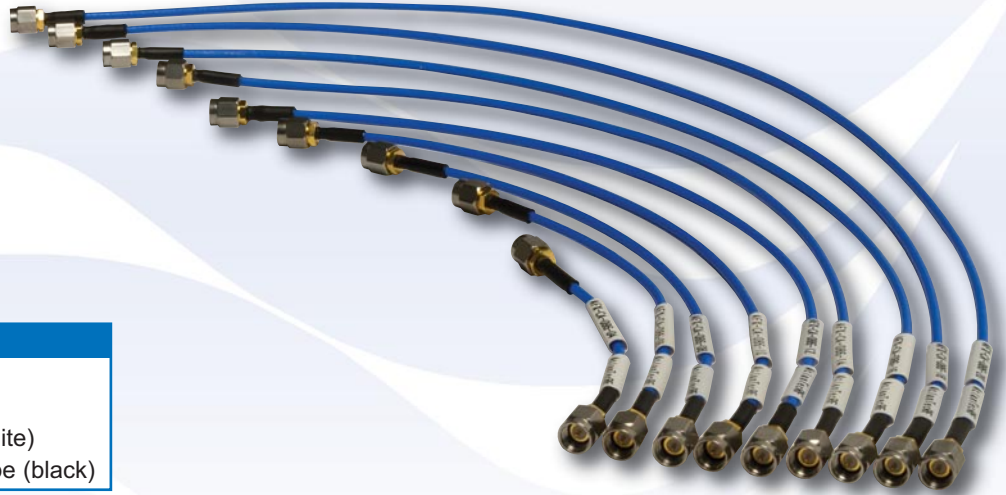
We reserve the right to change standard product specifications without notice but will be pleased to consider control drawings for quotation.

# Coaxial Cable Assemblies

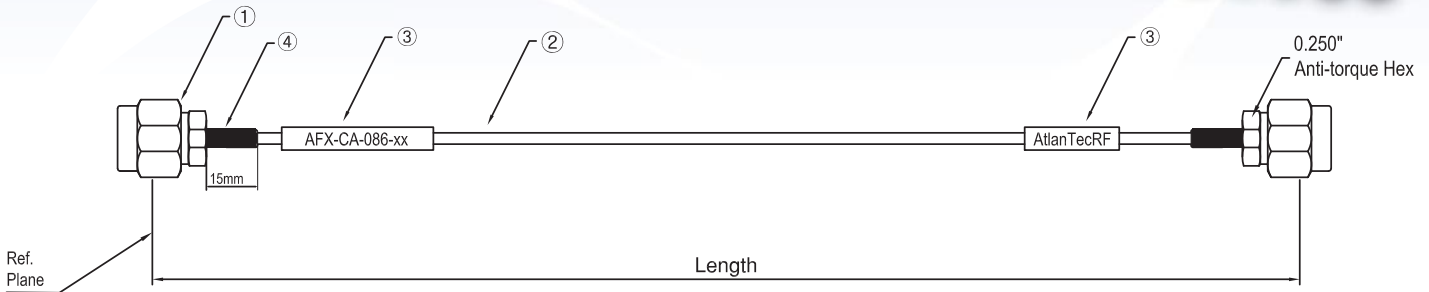
## Standard Lengths - AFX Series

### 0.086 Flexible SMA Male Connectors

- DC-26.5GHz
- **STOCK** Availability
- Wide Choice of Lengths
- Flexible
- Anti-Torque Connectors
- Weight Saving
- Very Cost Effective



No.	Description
1	SMA Male Straight
2	Flexible RG-405 cable
3	Marker (sliding) Shrink Tube (white)
4	Strain Relief Shrink Bonding Tube (black)



AtlantecRF's AFX series of flexible coaxial cable assemblies provides the microwave system designer with a versatile solution to equipment and sub-assembly cabling.

With a braided outer conductor over a silver plated spiral strip the cable can be repeatedly flexed maintaining performance essentially equivalent to formed copper semi-rigid of equivalent size.

The AFX range of **STOCK** lengths in standard assemblies will meet the requirements of most applications.

General Specifications	
Standard Lengths	2.0 to 60.0 inches
Length Increments	1.0 inches
Length Datum	Connector Reference Plane
Standard Connectors	SMA Male, Anti-torque, Stainless Steel to Mil-C-39012
Connector Interface	MIL-STD-348
Anti-torque hex	0.250 ins.
Impedance	50 ohms
Centre Conductor Material	Silver Plated Copper-clad Steel
Dielectric Material	Solid PTFE
Inner Shield	Silver Plated Copper Spiral Strip
Outer Braid	Silver Plated Copper Wire Braid
Cable Jacket	FEP Blue
Cable max. Diameter	0.110 inches
Insulation Resistance	1000 MegOhms min.
Withstand Voltage	1000 VRMS min.
Maximum CW Power	17 watts at 18GHz
Maximum Peak Power	1250 watts
Velocity of Propagation	70.7% Nominal
Electrical Delay	120 picosec/inch
Shielding	-90dB min.
Minimum Bend Radius [at centre line]	0.55 ins.
Operating Temp. Range	-65 to +105C
RoHS Compliant	



**Part Numbering:**

.086 Flexible Assemblies with SMA Male Connectors  
 AFX-CA-086-XX where XX is the length in inches

Typical "Examples" of Performance (interpolate for in-between lengths)  
 Standard Assemblies with SMA Male Connectors

Example Part Number	Length (ins.)	Attenuation (dB)				VSWR(:1)					
		2.0 (GHz)	6.0 (GHz)	12.0 (GHz)	18.0 (GHz)	1.0 (GHz)	2.0 (GHz)	4.0 (GHz)	6.0 (GHz)	12.0 (GHz)	18.0 (GHz)
AFX-CA-086-02	2	0.12	0.22	0.32	0.40	1.13	1.18	1.20	1.25	1.30	1.35
AFX-CA-086-03	3	0.15	0.27	0.39	0.50	1.13	1.18	1.20	1.25	1.30	1.35
AFX-CA-086-04	4	0.17	0.31	0.46	0.59	1.13	1.18	1.20	1.25	1.30	1.35
AFX-CA-086-05	5	0.20	0.36	0.54	0.68	1.13	1.18	1.20	1.25	1.30	1.35
AFX-CA-086-06	6	0.22	0.41	0.61	0.78	1.13	1.18	1.20	1.25	1.30	1.35
AFX-CA-086-07	7	0.25	0.46	0.68	0.87	1.13	1.18	1.20	1.25	1.30	1.35
AFX-CA-086-08	8	0.27	0.50	0.76	0.97	1.13	1.18	1.20	1.25	1.30	1.35
AFX-CA-086-09	9	0.30	0.55	0.83	1.06	1.13	1.18	1.20	1.25	1.30	1.35
AFX-CA-086-10	10	0.32	0.60	0.90	1.16	1.13	1.18	1.20	1.25	1.30	1.35
AFX-CA-086-11	11	0.35	0.65	0.97	1.25	1.13	1.18	1.20	1.25	1.30	1.35
AFX-CA-086-12	12	0.38	0.70	1.05	1.34	1.13	1.18	1.20	1.25	1.30	1.35
AFX-CA-086-13	13	0.40	0.74	1.12	1.44	1.13	1.18	1.20	1.25	1.30	1.35
AFX-CA-086-14	14	0.43	0.79	1.19	1.53	1.13	1.18	1.20	1.25	1.30	1.35
AFX-CA-086-15	15	0.45	0.84	1.27	1.63	1.13	1.18	1.20	1.25	1.30	1.35
AFX-CA-086-16	16	0.48	0.89	1.34	1.72	1.13	1.18	1.20	1.25	1.30	1.35
AFX-CA-086-17	17	0.50	0.93	1.41	1.82	1.13	1.18	1.20	1.25	1.30	1.35
AFX-CA-086-18	18	0.53	0.98	1.48	1.91	1.13	1.18	1.20	1.25	1.30	1.35
AFX-CA-086-19	19	0.55	1.03	1.56	2.00	1.13	1.18	1.20	1.25	1.30	1.35
AFX-CA-086-20	20	0.58	1.08	1.63	2.10	1.13	1.18	1.20	1.25	1.30	1.35
AFX-CA-086-21	21	0.60	1.13	1.70	2.19	1.13	1.18	1.20	1.25	1.30	1.35
AFX-CA-086-22	22	0.63	1.17	1.78	2.29	1.13	1.18	1.20	1.25	1.30	1.35
AFX-CA-086-23	23	0.65	1.22	1.85	2.38	1.13	1.18	1.20	1.25	1.30	1.35
AFX-CA-086-24	24	0.68	1.27	1.92	2.48	1.13	1.18	1.20	1.25	1.30	1.35
AFX-CA-086-25	25	0.71	1.32	1.99	2.57	1.13	1.18	1.20	1.25	1.30	1.35
AFX-CA-086-26	26	0.73	1.36	2.07	2.66	1.13	1.18	1.20	1.25	1.30	1.35
AFX-CA-086-27	27	0.76	1.41	2.14	2.76	1.13	1.18	1.20	1.25	1.30	1.35
AFX-CA-086-28	28	0.78	1.46	2.21	2.85	1.13	1.18	1.20	1.25	1.30	1.35
AFX-CA-086-29	29	0.81	1.51	2.29	2.95	1.13	1.18	1.20	1.25	1.30	1.35
AFX-CA-086-30	30	0.83	1.56	2.36	3.04	1.13	1.18	1.20	1.25	1.30	1.35
AFX-CA-086-31	31	0.86	1.60	2.43	3.14	1.13	1.18	1.20	1.25	1.30	1.35
AFX-CA-086-32	32	0.88	1.65	2.50	3.23	1.13	1.18	1.20	1.25	1.30	1.35
AFX-CA-086-33	33	0.91	1.70	2.58	3.33	1.13	1.18	1.20	1.25	1.30	1.35
AFX-CA-086-34	34	0.93	1.75	2.65	3.42	1.13	1.18	1.20	1.25	1.30	1.35
AFX-CA-086-35	35	0.96	1.79	2.72	3.51	1.13	1.18	1.20	1.25	1.30	1.35
AFX-CA-086-36	36	0.98	1.84	2.80	3.61	1.18	1.20	1.25	1.30	1.35	1.38
AFX-CA-086-39	39	1.06	1.99	3.01	3.89	1.18	1.20	1.25	1.30	1.35	1.38
AFX-CA-086-40	40	1.09	2.03	3.09	3.99	1.18	1.20	1.25	1.30	1.35	1.38
AFX-CA-086-41	41	1.11	2.08	3.16	4.08	1.18	1.20	1.25	1.30	1.35	1.38
AFX-CA-086-42	42	1.14	2.13	3.23	4.17	1.18	1.20	1.25	1.30	1.35	1.38
AFX-CA-086-46	46	1.24	2.32	3.52	4.55	1.18	1.20	1.25	1.30	1.35	1.38
AFX-CA-086-48	48	1.29	2.42	3.67	4.74	1.18	1.20	1.25	1.30	1.35	1.38
AFX-CA-086-54	54	1.44	2.70	4.11	5.31	1.18	1.20	1.25	1.30	1.35	1.38
AFX-CA-086-60	60	1.59	2.99	4.54	5.87	1.18	1.20	1.25	1.30	1.35	1.38

**Options**

The following are also available but not necessarily from stock:

- Alternative Connectors – SMA Female, Type N, SMP, 2.92mm - Bulkhead, Panel Mount, Right Angle
- Custom Assembly Lengths, Ident Sleeves

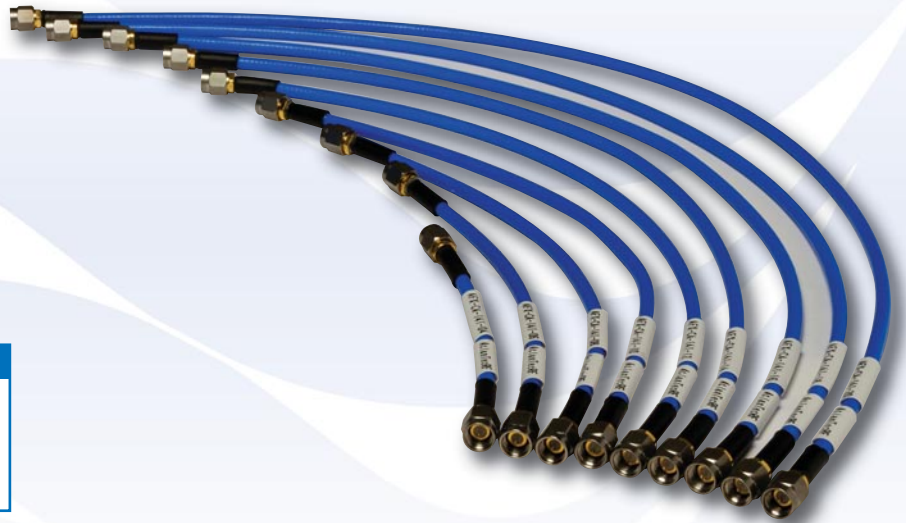
We reserve the right to change standard product specifications without notice but will be pleased to consider control drawings for quotation.

# Coaxial Cable Assemblies

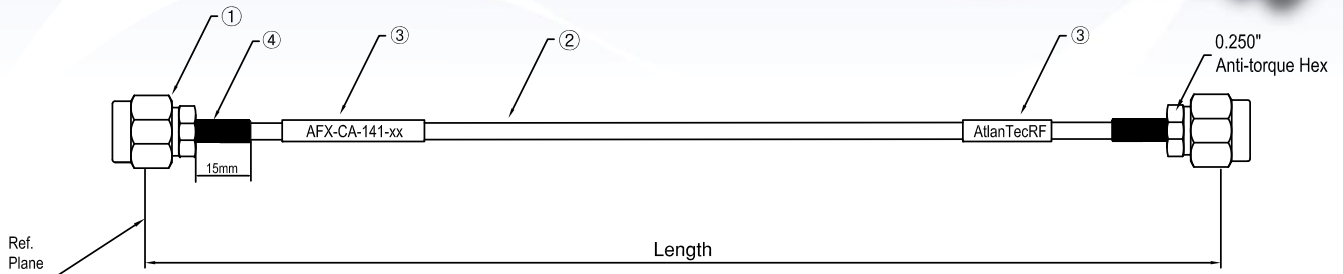
## Standard Lengths - AFX Series

### 0.141 Flexible SMA Male Connectors

- DC-26.5GHz
- **STOCK** Availability
- Wide Choice of Lengths
- Flexible
- Anti-Torque Connectors
- Weight Saving
- Very Cost Effective



No.	Description
1	SMA Male Straight
2	Flexible RG-402 cable
3	Marker (sliding) Shrink Tube (white)
4	Strain Relief Shrink Bonding Tube (black)



AtlantecRF's AFX series of flexible coaxial cable assemblies provides the microwave system designer with a versatile solution to equipment and sub-assembly cabling.

With a braided outer conductor over a silver plated spiral strip the cable can be repeatedly flexed maintaining performance essentially equivalent to formed copper semi-rigid of equivalent size.

The AFX range of **STOCK** lengths in standard assemblies will meet the requirements of most applications.

General Specifications	
Standard Lengths	2.0 to 60.0 inches
Length Increments	1.0 inches
Length Datum	Connector Reference Plane
Standard Connectors	SMA Male, Anti-torque, Stainless Steel to Mil-C-39012
Connector Interface	MIL-STD-348
Anti-torque hex	0.250 ins.
Impedance	50 ohms
Centre Conductor Material	Silver Plated Copper-clad Steel
Dielectric Material	Solid PTFE
Inner Shield	Silver Plated Copper Spiral Strip
Outer Braid	Silver Plated Copper Wire Braid
Cable Jacket	FEP Blue
Cable max. diameter	0.168 inches
Insulation Resistance	1000 MegOhms min.
Withstand Voltage	1000 VRMS min.
Maximum CW Power	40 watts at 18GHz
Maximum Peak Power	1250 watts
Velocity of Propagation	70.7% Nominal
Electrical Delay	120 picosec/inch
Shielding	90dB min.
Minimum Bend Radius [at centre line]	0.84 ins.
Operating Temp. Range	-65 to +105C
RoHS Compliant	

**Part Numbering:**

.141 Flexible Assemblies with SMA Male Connectors  
 AFX-CA-141-XX where XX is the length in inches

Typical "Examples" of Performance (interpolate for in-between lengths)  
 Standard Assemblies with SMA Male Connectors

Example Part Number	Length (ins.)	Attenuation (dB)				VSWR(:1)					
		2.0 (GHz)	6.0 (GHz)	12.0 (GHz)	18.0 (GHz)	1.0 (GHz)	2.0 (GHz)	4.0 (GHz)	6.0 (GHz)	12.0 (GHz)	18.0 (GHz)
AFX-CA-141-02	2	0.10	0.18	0.26	0.33	1.06	1.11	1.14	1.17	1.20	1.30
AFX-CA-141-03	3	0.12	0.21	0.30	0.38	1.06	1.11	1.14	1.17	1.20	1.30
AFX-CA-141-04	4	0.13	0.24	0.35	0.44	1.06	1.11	1.14	1.17	1.20	1.30
AFX-CA-141-05	5	0.15	0.27	0.39	0.50	1.06	1.11	1.14	1.17	1.20	1.30
AFX-CA-141-06	6	0.16	0.30	0.44	0.55	1.06	1.11	1.14	1.17	1.20	1.30
AFX-CA-141-07	7	0.18	0.32	0.48	0.61	1.06	1.11	1.14	1.17	1.20	1.30
AFX-CA-141-08	8	0.19	0.35	0.52	0.67	1.06	1.11	1.14	1.17	1.20	1.30
AFX-CA-141-09	9	0.21	0.38	0.57	0.72	1.06	1.11	1.14	1.17	1.20	1.30
AFX-CA-141-10	10	0.22	0.41	0.61	0.78	1.06	1.11	1.14	1.17	1.20	1.30
AFX-CA-141-11	11	0.24	0.44	0.66	0.84	1.06	1.11	1.14	1.17	1.20	1.30
AFX-CA-141-12	12	0.25	0.47	0.70	0.90	1.06	1.11	1.14	1.17	1.20	1.30
AFX-CA-141-13	13	0.27	0.50	0.74	0.95	1.06	1.11	1.14	1.17	1.20	1.30
AFX-CA-141-14	14	0.28	0.53	0.79	1.01	1.06	1.11	1.14	1.17	1.20	1.30
AFX-CA-141-15	15	0.30	0.55	0.83	1.07	1.06	1.11	1.14	1.17	1.20	1.30
AFX-CA-141-16	16	0.32	0.58	0.88	1.12	1.06	1.11	1.14	1.17	1.20	1.30
AFX-CA-141-17	17	0.33	0.61	0.92	1.18	1.06	1.11	1.14	1.17	1.20	1.30
AFX-CA-141-18	18	0.35	0.64	0.96	1.24	1.06	1.11	1.14	1.17	1.20	1.30
AFX-CA-141-19	19	0.36	0.67	1.01	1.29	1.06	1.11	1.14	1.17	1.20	1.30
AFX-CA-141-20	20	0.38	0.70	1.05	1.35	1.06	1.11	1.14	1.17	1.20	1.30
AFX-CA-141-21	21	0.39	0.73	1.10	1.41	1.06	1.11	1.14	1.17	1.20	1.30
AFX-CA-141-22	22	0.41	0.76	1.14	1.46	1.06	1.11	1.14	1.17	1.20	1.30
AFX-CA-141-23	23	0.42	0.78	1.18	1.52	1.06	1.11	1.14	1.17	1.20	1.30
AFX-CA-141-24	24	0.44	0.81	1.23	1.58	1.06	1.11	1.14	1.17	1.20	1.30
AFX-CA-141-26	26	0.47	0.87	1.31	1.69	1.06	1.11	1.14	1.17	1.20	1.30
AFX-CA-141-27	27	0.48	0.90	1.36	1.75	1.06	1.11	1.14	1.17	1.20	1.30
AFX-CA-141-30	30	0.53	0.99	1.49	1.92	1.06	1.11	1.14	1.17	1.20	1.30
AFX-CA-141-31	31	0.54	1.01	1.53	1.98	1.06	1.11	1.14	1.17	1.20	1.30
AFX-CA-141-32	32	0.56	1.04	1.58	2.03	1.06	1.11	1.14	1.17	1.20	1.30
AFX-CA-141-33	33	0.57	1.07	1.62	2.09	1.06	1.11	1.14	1.17	1.20	1.30
AFX-CA-141-34	34	0.59	1.10	1.67	2.15	1.06	1.11	1.14	1.17	1.20	1.30
AFX-CA-141-36	36	0.62	1.16	1.75	2.26	1.06	1.11	1.14	1.17	1.20	1.30
AFX-CA-141-39	39	0.67	1.24	1.89	2.43	1.06	1.11	1.14	1.17	1.20	1.30
AFX-CA-141-40	40	0.68	1.27	1.93	2.49	1.06	1.11	1.14	1.17	1.20	1.30
AFX-CA-141-41	41	0.70	1.30	1.97	2.55	1.06	1.11	1.14	1.17	1.20	1.30
AFX-CA-141-42	42	0.71	1.33	2.02	2.60	1.06	1.11	1.14	1.17	1.20	1.30
AFX-CA-141-45	45	0.76	1.42	2.15	2.77	1.06	1.11	1.14	1.17	1.20	1.30
AFX-CA-141-48	48	0.80	1.50	2.28	2.94	1.06	1.11	1.14	1.17	1.20	1.30
AFX-CA-141-50	50	0.83	1.56	2.37	3.06	1.06	1.11	1.14	1.17	1.20	1.30
AFX-CA-141-51	51	0.85	1.59	2.41	3.11	1.06	1.11	1.14	1.17	1.20	1.30
AFX-CA-141-52	52	0.86	1.62	2.46	3.17	1.06	1.11	1.14	1.17	1.20	1.30
AFX-CA-141-54	54	0.90	1.68	2.54	3.28	1.06	1.11	1.14	1.17	1.20	1.30
AFX-CA-141-56	56	0.93	1.73	2.63	3.40	1.06	1.11	1.14	1.17	1.20	1.30
AFX-CA-141-58	58	0.96	1.79	2.72	3.51	1.06	1.11	1.14	1.17	1.20	1.30
AFX-CA-141-60	60	0.99	1.85	2.81	3.63	1.06	1.11	1.14	1.17	1.20	1.30

**Options**

The following are also available but not necessarily from stock:

- Alternative Connectors – SMA Female, Type N, SMP, 2.92mm - Bulkhead, Panel Mount, Right Angle
- Custom Assembly Lengths, Ident Sleeves

We reserve the right to change standard product specifications without notice but will be pleased to consider control drawings for quotation.

# Coaxial Cable Assemblies with Connector Variants

Standard Lengths 2 to 60 inches

ASR, ASF and AFX Series

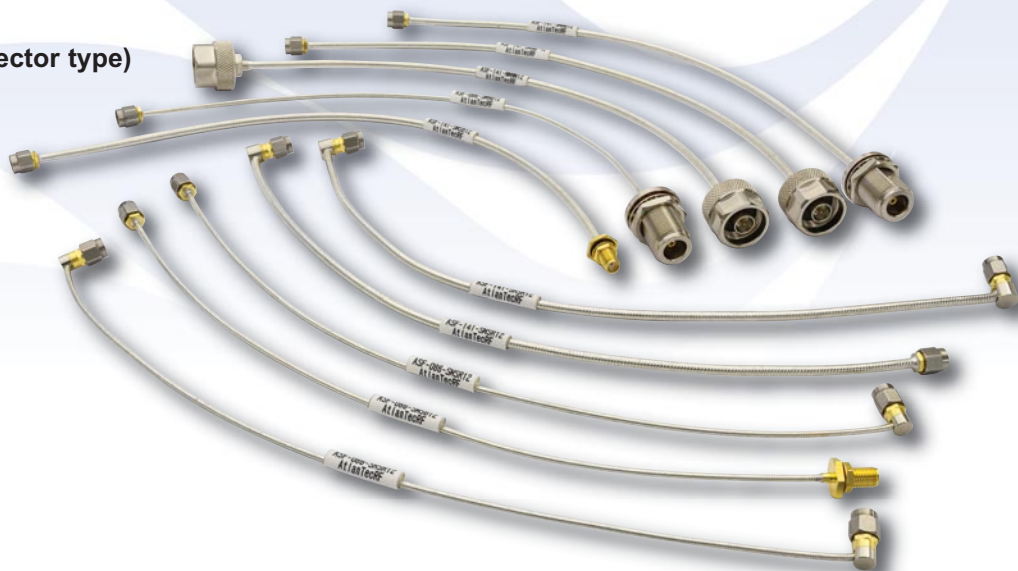
0.086 & 0.141 sizes

Stock Connector Options:

SMA Male Straight, SMA Male R/A, SMA Female Bulkhead

Type N Male Straight, N Male R/A, N Female Bulkhead

- DC-26.5GHz (subject to connector type)
- STOCK Availability
- Wide Choice of Lengths
- Reformable and Flexible
- Weight Saving
- Very Cost Effective
- Wide Range of Alternative Connector Options



Part Number Format: ASF-CA-086-AABB-XX

#### Cable Type

ASF-CA = Reformable Copper/Tin Composite - Semi-flexible  
 ASR-CA = Reformable Aluminium - Semi-rigid  
 AFX-CA = Flexible - Blue FEP Jacket

#### Cable Diameter

086 = 0.086  
 141 = 0.141

#### Connector AA/BB

see connector options

#### Length in inches XX

2 to 60 in 1 inch increments

#### Examples

ASR-CA-086-SMSR-12 = Semi-rigid 0.086, SMA Male to SMA Male Right Angle, Length 12 inches  
 ASF-CA-141-NMNB-06 = Semi-flexible 0.141, N Male to N Female Bulkhead, Length 6 inches  
 AFX-CA-141-SMSR-10 = Flexible 0.141, SMA Male to SMA Male Right Angle, Length 10 inches

**Cables with SMA Male to SMA Male connectors are covered by our standard assemblies on individual data sheets, which include full electrical specifications.**

To view individual data sheets for ASF, ASR and AFX Series, refer to pages 4 - 15.

Stock Connector Options for AA & BB	
SMA Male Straight	SM
SMA Male Right Angle	SR
SMA Female Bulkhead	SB
N Male Straight	NM
N Female Bulkhead	NB
N Male Right Angle	NR

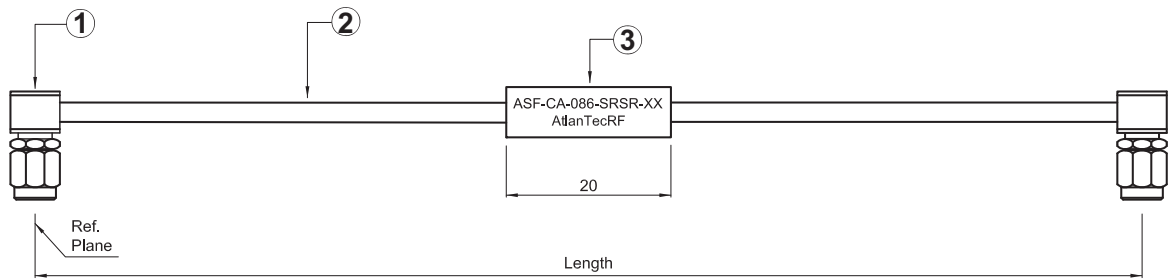
#### Additional Connector Options

2.92mm, SMP, SSMP, MCX, MMCX, SSMA, TNC, BNC, 2.4mm 1.85mm

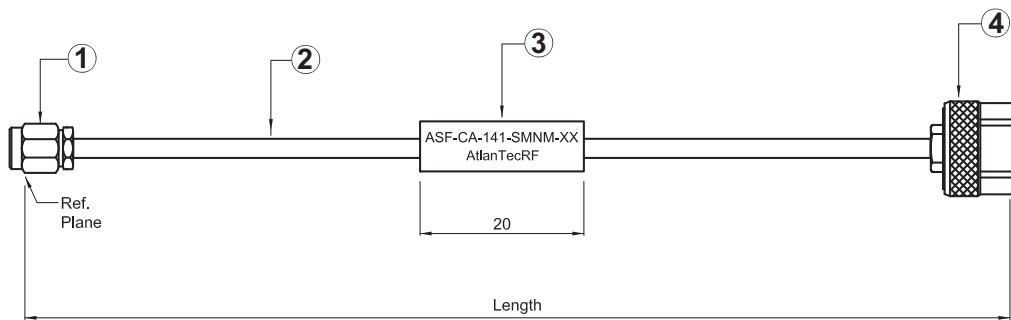


## Typical Configurations

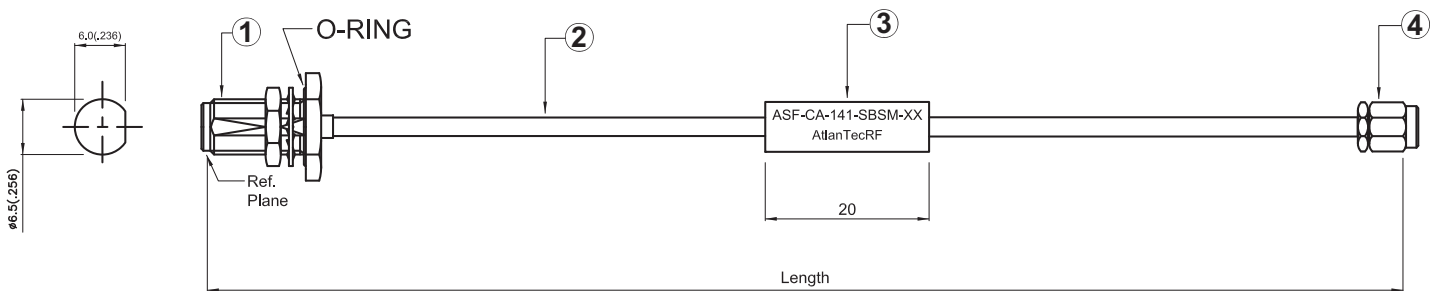
No.	Description
1	SMA Male Right Angle
2	Copper/Tin Composite .086 Cable
3	Marker (sliding) Shrink Tube (white)



No.	Description
1	SMA Male Straight
2	Copper/Tin Composite .141 Cable
3	Marker (sliding) Shrink Tube (white)
4	N Male Straight



No.	Description
1	SMA Female Bulkhead
2	Copper/Tin Composite .141 Cable
3	Marker (sliding) Shrink Tube (white)
4	SMA Male Straight



We reserve the right to change standard product specifications without notice but will be pleased to consider control drawings for quotation.

# Low PIM Coaxial Cable Assemblies

## Standard Lengths - ASF-LP Series

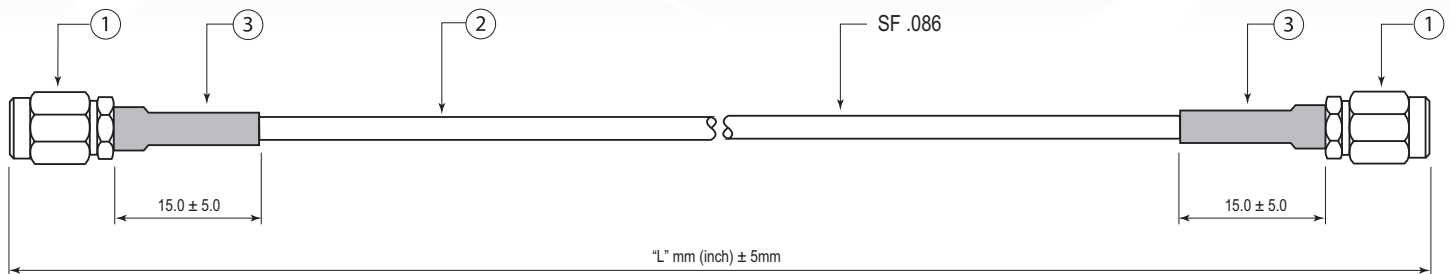
### 0.086 Reformable Copper/Tin Composite

### SMA Male Connectors

- Low Intermodulation Products
- DC-18GHz
- STOCK Availability
- Wide Choice of Lengths
- Reformable
- Anti-Torque Connectors
- Weight Saving
- Very Cost Effective



No.	Description
1	SMA Male Straight
2	Copper/Tin Composite .086 Cable
3	Strain Relief Shrink Bonding Tube (black)



AtlantecRF's ASF-LP series of coaxial cable assemblies provides the microwave system designer with a versatile solution to equipment sub-assembly and test cabling without the need for detailed design of semi-rigids. The cable and connector materials are chosen for best intermodulation performance.

With a copper/tin composite outer conductor the cable can be hand formed in situ while maintaining performance essentially similar to formed copper semi-rigid of equivalent size and the high resistance to work-hardening allows for subsequent bend adjustments. The large range of STOCK lengths in standard assemblies will meet the requirements of most applications.

General Specifications	
Standard Lengths	2.0 to 60.0 inches
Length Increments	1.0 inches
Length Datum	Connector Reference Plane
Standard Connectors	SMA Male, Anti-torque, Tri-metal plated brass
Connector Interface	MIL-STD-348
Anti-torque hex	0.250 ins.
Impedance	50 ohms
Outer Conductor	Copper/Tin Composite
Dielectric Material	PTFE
Centre Conductor Material	Silver Plated Copper
Intermodulation Products	-155dBm at 6GHz with 2 tones of +26dBm
Insulation Resistance	1000 MegOhms min.
Withstand Voltage	1000 VRMS min.
Maximum CW Power	15 watts at 18GHz
Maximum Peak Power	1250 watts
Velocity of Propagation	70% Nominal
Electrical Delay	120 picosec/inch
Shielding	100dB min.
Minimum Bend Radius [at centre line]	0.13 ins (3.3mm)
Operating Temp. Range	50 to +105C
RoHS Compliant	

Example Part Number	Length (ins.)	Attenuation (dB)				VSWR (:1)			
		2.0GHz	6.0GHz	12.0GHz	18.0GHz	2.0GHz	6.0GHz	12.0GHz	18.0GHz
ASF-CA-086-02-LP	2	0.13	0.22	0.31	0.40	1.10	1.17	1.20	1.30
ASF-CA-086-03-LP	3	0.16	0.27	0.38	0.50	1.10	1.17	1.20	1.30
ASF-CA-086-04-LP	4	0.18	0.32	0.46	0.60	1.10	1.17	1.20	1.30
ASF-CA-086-05-LP	5	0.21	0.37	0.53	0.69	1.10	1.17	1.20	1.30
ASF-CA-086-06-LP	6	0.24	0.42	0.61	0.79	1.10	1.17	1.20	1.30
ASF-CA-086-07-LP	7	0.27	0.47	0.69	0.89	1.10	1.17	1.20	1.30
ASF-CA-086-08-LP	8	0.29	0.52	0.76	0.99	1.10	1.17	1.20	1.30
ASF-CA-086-09-LP	9	0.32	0.57	0.84	1.08	1.10	1.17	1.20	1.30
ASF-CA-086-10-LP	10	0.35	0.62	0.92	1.18	1.10	1.17	1.20	1.30
ASF-CA-086-11-LP	11	0.38	0.67	0.99	1.28	1.10	1.17	1.20	1.30
ASF-CA-086-12-LP	12	0.40	0.72	1.07	1.38	1.10	1.17	1.20	1.30
ASF-CA-086-13-LP	13	0.43	0.77	1.14	1.47	1.10	1.17	1.20	1.30
ASF-CA-086-14-LP	14	0.46	0.83	1.22	1.57	1.10	1.17	1.20	1.30
ASF-CA-086-15-LP	15	0.49	0.88	1.30	1.67	1.10	1.17	1.20	1.30
ASF-CA-086-16-LP	16	0.51	0.93	1.37	1.77	1.10	1.17	1.20	1.30
ASF-CA-086-17-LP	17	0.54	0.98	1.45	1.86	1.10	1.17	1.20	1.30
ASF-CA-086-18-LP	18	0.57	1.03	1.52	1.96	1.10	1.17	1.20	1.30
ASF-CA-086-19-LP	19	0.60	1.08	1.60	2.06	1.10	1.17	1.20	1.30
ASF-CA-086-20-LP	20	0.62	1.13	1.68	2.15	1.10	1.17	1.20	1.30
ASF-CA-086-21-LP	21	0.65	1.18	1.75	2.25	1.10	1.17	1.20	1.30
ASF-CA-086-22-LP	22	0.68	1.23	1.83	2.35	1.10	1.17	1.20	1.30
ASF-CA-086-23-LP	23	0.71	1.28	1.91	2.45	1.10	1.17	1.20	1.30
ASF-CA-086-24-LP	24	0.74	1.33	1.98	2.54	1.10	1.17	1.20	1.30
ASF-CA-086-25-LP	25	0.76	1.39	2.06	2.64	1.15	1.25	1.30	1.35
ASF-CA-086-26-LP	26	0.79	1.44	2.13	2.74	1.15	1.25	1.30	1.35
ASF-CA-086-27-LP	27	0.82	1.49	2.21	2.84	1.15	1.25	1.30	1.35
ASF-CA-086-28-LP	28	0.85	1.54	2.29	2.93	1.15	1.25	1.30	1.35
ASF-CA-086-29-LP	29	0.87	1.59	2.36	3.03	1.15	1.25	1.30	1.35
ASF-CA-086-30-LP	30	0.90	1.64	2.44	3.13	1.15	1.25	1.30	1.35
ASF-CA-086-31-LP	31	0.93	1.69	2.51	3.23	1.15	1.25	1.30	1.35
ASF-CA-086-32-LP	32	0.96	1.74	2.59	3.32	1.15	1.25	1.30	1.35
ASF-CA-086-33-LP	33	0.98	1.79	2.67	3.42	1.15	1.25	1.30	1.35
ASF-CA-086-34-LP	34	1.01	1.84	2.74	3.52	1.15	1.25	1.30	1.35
ASF-CA-086-35-LP	35	1.04	1.89	2.82	3.62	1.15	1.25	1.30	1.35
ASF-CA-086-36-LP	36	1.07	1.95	2.90	3.71	1.15	1.25	1.30	1.35
ASF-CA-086-37-LP	37	1.09	2.00	2.97	3.81	1.18	1.28	1.35	1.40
ASF-CA-086-38-LP	38	1.12	2.05	3.05	3.91	1.18	1.28	1.35	1.40
ASF-CA-086-39-LP	39	1.15	2.10	3.12	4.00	1.18	1.28	1.35	1.40
ASF-CA-086-40-LP	40	1.18	2.15	3.20	4.10	1.18	1.28	1.35	1.40
ASF-CA-086-41-LP	41	1.21	2.20	3.28	4.20	1.18	1.28	1.35	1.40
ASF-CA-086-42-LP	42	1.23	2.25	3.35	4.30	1.18	1.28	1.35	1.40
ASF-CA-086-43-LP	43	1.26	2.30	3.43	4.39	1.18	1.28	1.35	1.40
ASF-CA-086-44-LP	44	1.29	2.35	3.50	4.49	1.18	1.28	1.35	1.40
ASF-CA-086-45-LP	45	1.32	2.40	3.58	4.59	1.18	1.28	1.35	1.40
ASF-CA-086-46-LP	46	1.34	2.45	3.66	4.69	1.18	1.28	1.35	1.40
ASF-CA-086-47-LP	47	1.37	2.50	3.73	4.78	1.18	1.28	1.35	1.40
ASF-CA-086-48-LP	48	1.40	2.56	3.81	4.88	1.18	1.28	1.35	1.40
ASF-CA-086-54-LP	54	1.56	2.86	4.27	5.47	1.18	1.28	1.35	1.40
ASF-CA-086-60-LP	60	1.73	3.17	4.72	6.05	1.18	1.28	1.35	1.40

**Options**

The following are also available but not necessarily from stock:

Alternative Connectors – SMA Female, Type N, Bulkhead, Panel Mount, Right Angle

Custom Assembly Lengths, Ident Sleeves

We reserve the right to change standard product specifications without notice but will be pleased to consider control drawings for quotation.

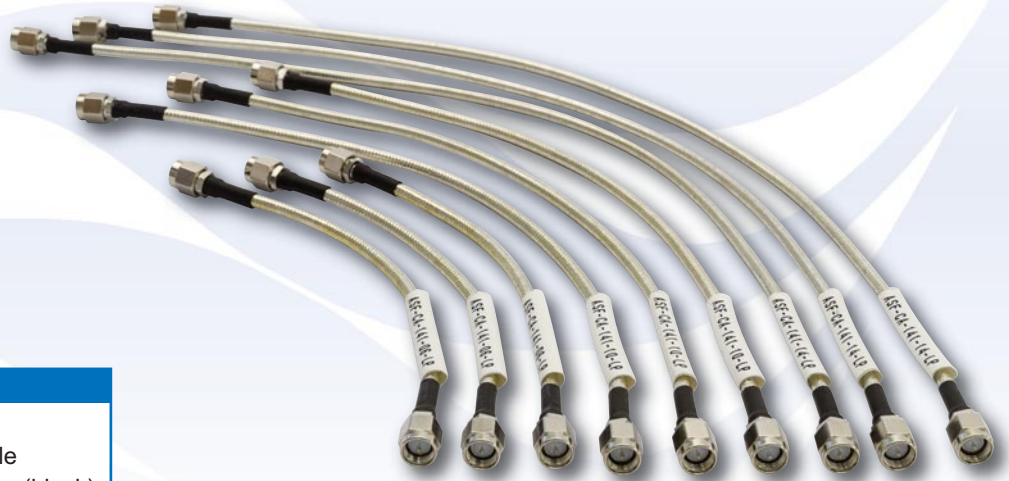
# Low PIM Coaxial Cable Assemblies

## Standard Lengths - ASF-LP Series

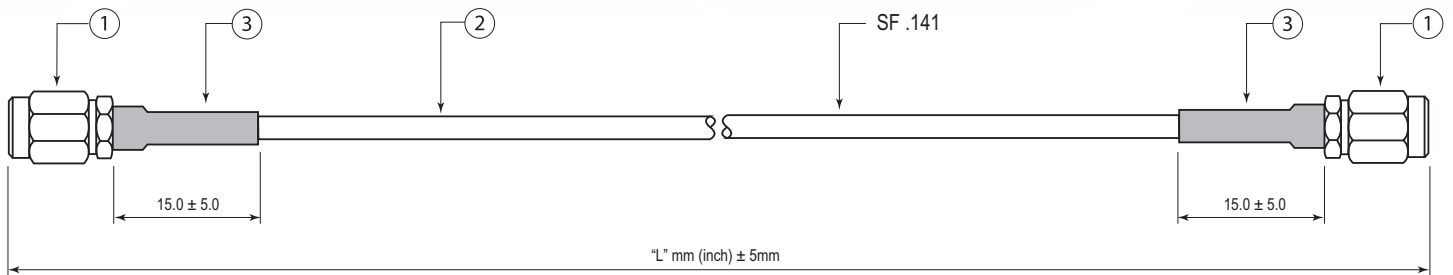
### 0.141 Reformable Copper/Tin Composite

### SMA Male Connectors

- Low Intermodulation Products
- DC-18GHz
- STOCK Availability
- Wide Choice of Lengths
- Reformable
- Anti-Torque Connectors
- Weight Saving
- Very Cost Effective



No.	Description
1	SMA Male Straight
2	Copper/Tin Composite .141 Cable
3	Strain Relief Shrink Bonding Tube (black)



AtlantecRF's ASF-LP series of coaxial cable assemblies provides the microwave system designer with a versatile solution to equipment sub-assembly and test cabling without the need for detailed design of semi-rigids. The cable and connector materials are chosen for best intermodulation performance.

With a copper/tin composite outer conductor the cable can be hand formed in situ while maintaining performance essentially similar to formed copper semi-rigid of equivalent size and the high resistance to work-hardening allows for subsequent bend adjustments. The large range of STOCK lengths in standard assemblies will meet the requirements of most applications.

General Specifications	
Standard Lengths	2.0 to 60.0 inches
Length Increments	1.0 inches
Length Datum	Connector Reference Plane
Standard Connectors	SMA Male, Anti-torque, Tri-metal plated brass
Connector Interface	MIL-STD-348
Anti-torque hex	0.250 ins.
Impedance	50 ohms
Outer Conductor	Copper/Tin Composite
Dielectric Material	PTFE
Centre Conductor Material	Silver Plated Copper
Intermodulation Products	-155dBm at 6GHz with 2 tones of +26dBm
Insulation Resistance	1000 MegOhms min.
Withstand Voltage	1000 VRMS min.
Maximum CW Power	36 watts at 18GHz
Maximum Peak Power	1250 watts
Velocity of Propagation	70% Nominal
Electrical Delay	120 picosec/inch
Shielding	100dB min.
Minimum Bend Radius [at centre line]	0.19 ins (4.8mm)
Operating Temp. Range	-50 to +105C
RoHS Compliant	



Example Part Number	Length (ins.)	Attenuation (dB)				VSWR (:1)			
		2.0GHz	6.0GHz	12.0GHz	18.0GHz	2.0GHz	6.0GHz	12.0GHz	18.0GHz
ASF-CA-141-02-LP	2	0.10	0.17	0.25	0.33	1.10	1.17	1.20	1.30
ASF-CA-141-03-LP	3	0.12	0.20	0.29	0.39	1.10	1.17	1.20	1.30
ASF-CA-141-04-LP	4	0.14	0.23	0.34	0.45	1.10	1.17	1.20	1.30
ASF-CA-141-05-LP	5	0.15	0.27	0.39	0.51	1.10	1.17	1.20	1.30
ASF-CA-141-06-LP	6	0.17	0.30	0.43	0.57	1.10	1.17	1.20	1.30
ASF-CA-141-07-LP	7	0.18	0.33	0.48	0.63	1.10	1.17	1.20	1.30
ASF-CA-141-08-LP	8	0.20	0.36	0.53	0.69	1.10	1.17	1.20	1.30
ASF-CA-141-09-LP	9	0.22	0.39	0.57	0.75	1.10	1.17	1.20	1.30
ASF-CA-141-10-LP	10	0.23	0.42	0.62	0.82	1.10	1.17	1.20	1.30
ASF-CA-141-11-LP	11	0.25	0.45	0.67	0.88	1.10	1.17	1.20	1.30
ASF-CA-141-12-LP	12	0.26	0.48	0.71	0.94	1.10	1.17	1.20	1.30
ASF-CA-141-13-LP	13	0.28	0.51	0.76	1.00	1.10	1.17	1.20	1.30
ASF-CA-141-14-LP	14	0.30	0.54	0.81	1.06	1.10	1.17	1.20	1.30
ASF-CA-141-15-LP	15	0.31	0.57	0.86	1.12	1.10	1.17	1.20	1.30
ASF-CA-141-16-LP	16	0.33	0.60	0.90	1.18	1.10	1.17	1.20	1.30
ASF-CA-141-17-LP	17	0.34	0.63	0.95	1.24	1.10	1.17	1.20	1.30
ASF-CA-141-18-LP	18	0.36	0.66	1.00	1.30	1.10	1.17	1.20	1.30
ASF-CA-141-19-LP	19	0.38	0.69	1.04	1.36	1.10	1.17	1.20	1.30
ASF-CA-141-20-LP	20	0.39	0.72	1.09	1.42	1.10	1.17	1.20	1.30
ASF-CA-141-21-LP	21	0.41	0.75	1.14	1.48	1.10	1.17	1.20	1.30
ASF-CA-141-22-LP	22	0.42	0.78	1.18	1.54	1.10	1.17	1.20	1.30
ASF-CA-141-23-LP	23	0.44	0.81	1.23	1.63	1.10	1.17	1.20	1.30
ASF-CA-141-24-LP	24	0.46	0.84	1.28	1.67	1.10	1.17	1.20	1.30
ASF-CA-141-25-LP	25	0.47	0.87	1.32	1.73	1.10	1.17	1.20	1.30
ASF-CA-141-26-LP	26	0.49	0.90	1.37	1.79	1.10	1.17	1.20	1.30
ASF-CA-141-27-LP	27	0.50	0.93	1.42	1.85	1.10	1.17	1.20	1.30
ASF-CA-141-28-LP	28	0.52	0.96	1.46	1.91	1.10	1.17	1.20	1.30
ASF-CA-141-29-LP	29	0.54	0.99	1.51	1.97	1.10	1.17	1.20	1.30
ASF-CA-141-30-LP	30	0.55	1.02	1.56	2.03	1.10	1.17	1.20	1.30
ASF-CA-141-31-LP	31	0.57	1.06	1.60	2.09	1.10	1.17	1.20	1.30
ASF-CA-141-32-LP	32	0.58	1.09	1.65	2.15	1.10	1.17	1.20	1.30
ASF-CA-141-33-LP	33	0.60	1.12	1.70	2.21	1.10	1.17	1.20	1.30
ASF-CA-141-34-LP	34	0.62	1.15	1.74	2.27	1.10	1.17	1.20	1.30
ASF-CA-141-35-LP	35	0.63	1.18	1.79	2.34	1.10	1.17	1.20	1.30
ASF-CA-141-36-LP	36	0.65	1.21	1.84	2.40	1.10	1.17	1.20	1.30
ASF-CA-141-37-LP	37	0.66	1.24	1.88	2.46	1.10	1.17	1.20	1.30
ASF-CA-141-38-LP	38	0.68	1.27	1.93	2.52	1.10	1.17	1.20	1.30
ASF-CA-141-39-LP	39	0.70	1.30	1.98	2.58	1.10	1.17	1.20	1.30
ASF-CA-141-40-LP	40	0.71	1.33	2.02	2.64	1.10	1.17	1.20	1.30
ASF-CA-141-41-LP	41	0.73	1.36	2.07	2.70	1.10	1.17	1.20	1.30
ASF-CA-141-42-LP	42	0.74	1.39	2.12	2.76	1.10	1.17	1.20	1.30
ASF-CA-141-43-LP	43	0.76	1.42	2.16	2.82	1.10	1.17	1.20	1.30
ASF-CA-141-44-LP	44	0.77	1.45	2.21	2.88	1.10	1.17	1.20	1.30
ASF-CA-141-45-LP	45	0.79	1.48	2.26	2.94	1.10	1.17	1.20	1.30
ASF-CA-141-46-LP	46	0.81	1.51	2.30	3.00	1.10	1.17	1.20	1.30
ASF-CA-141-47-LP	47	0.82	1.54	2.35	3.07	1.10	1.17	1.20	1.30
ASF-CA-141-48-LP	48	0.84	1.57	2.40	3.13	1.10	1.17	1.20	1.30
ASF-CA-141-49-LP	49	0.85	1.60	2.44	3.19	1.10	1.17	1.20	1.30
ASF-CA-141-50-LP	50	0.87	1.63	2.49	3.25	1.10	1.17	1.20	1.30
ASF-CA-141-52-LP	52	0.90	1.69	2.58	3.37	1.10	1.17	1.20	1.30
ASF-CA-141-54-LP	54	0.93	1.75	2.68	3.49	1.10	1.17	1.20	1.30
ASF-CA-141-56-LP	56	0.97	1.81	2.77	3.61	1.10	1.17	1.20	1.30
ASF-CA-141-58-LP	58	1.00	1.88	2.87	3.73	1.10	1.17	1.20	1.30
ASF-CA-141-60-LP	60	1.03	1.94	2.96	3.86	1.10	1.17	1.20	1.30

**Options**

The following are also available but not necessarily from stock:

Alternative Connectors – SMA Female, Type N, Bulkhead, Panel Mount, Right Angle

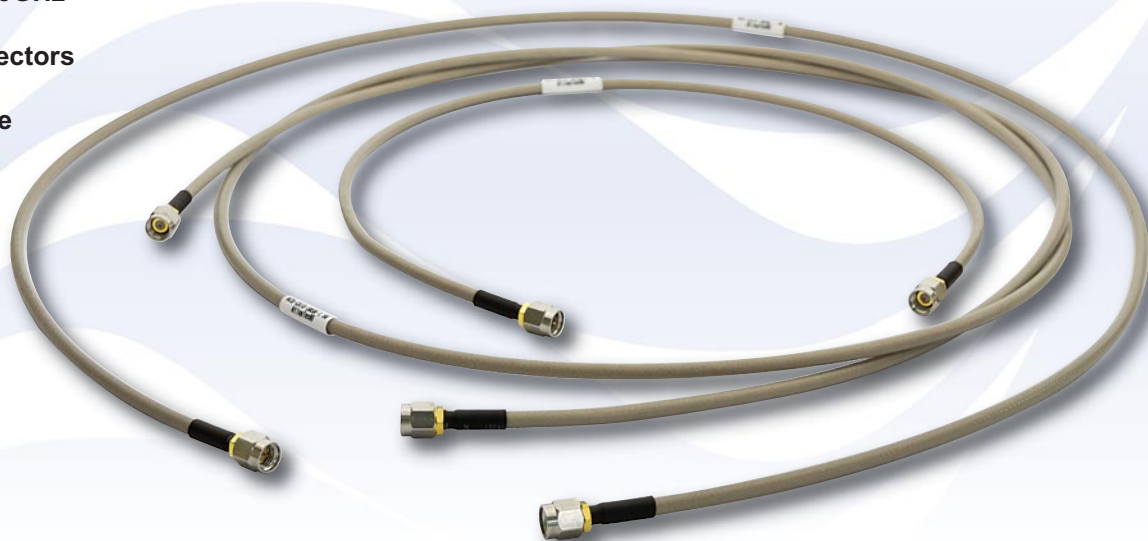
Custom Assembly Lengths, Ident Sleeves

We reserve the right to change standard product specifications without notice but will be pleased to consider control drawings for quotation.

## Small Diameter Test Cables

### ACG-CA18 Series

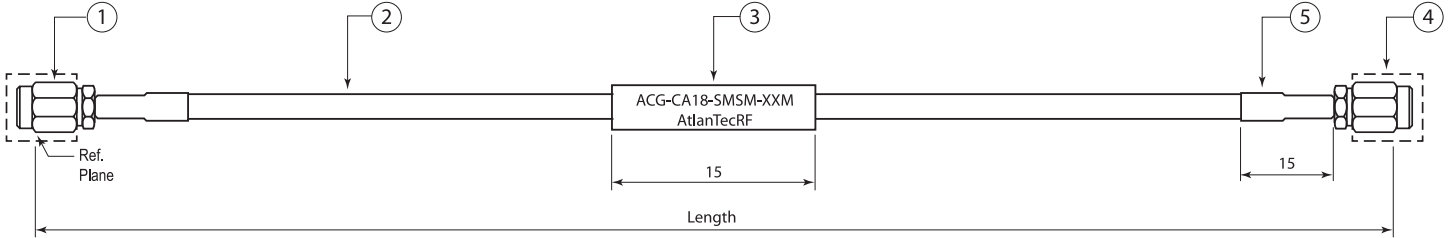
- Frequency DC-26.5GHz
- FEP Jacket - Grey
- Anti-Torque Connectors
- Weight Saving
- Very Cost Effective
- RoHS Compliant



AtlantecRF's ACG series of flexible coaxial test cables provides the microwave test engineer with a versatile solution to laboratory test cabling. With a braided outer conductor over a silver plated spiral strip the cable can be repeatedly flexed maintaining performance essentially equivalent to formed copper semi-rigid of equivalent size. The ACG range of STOCK lengths in standard assemblies will meet the requirements of most applications.

General Specifications	
Standard Lengths	0.5 to 3.0m
Length Increments	0.5m
Length Tolerance	+/-1%
Length Datum	Connector Reference Plane
Standard Connectors	SMA Male, Anti-torque, Stainless Steel to Mil-C-39012
Connector Interface	MIL-STD-348
Anti-torque hex	0.250 ins.
Impedance	50 ohms
Centre Conductor Material	Silver Plated Copper-clad Steel
Dielectric Material	Solid PTFE
Inner Shield	Silver Plated Copper Spiral Strip
Outer Braid	Silver Plated Copper Wire Braid
Cable Jacket	FEP - Grey
Cable Diameter maximum	0.168 inches
Insulation Resistance	1000 MegOhms min.
Withstand Voltage	1000 VRMS min.
Maximum CW Power	40 Watts at 18GHz
Maximum Peak Power	1250 Watts
Velocity of Propagation	70% Nominal
Electrical Delay	120 picosec/inch
Shielding	90dB min.
Minimum Bend Radius	0.84 ins. (at centre line)
Operating Temp. Range	-65 to +105C
RoHS Compliant	

No.	Description
1	SMA Male Straight
2	Flexible RG-402 Cable
3	Marker (sliding) Shrink Tube (white)
4	Dust Cap
5	Strain Relief Shrink Bonding Tube (black)



Part Number	Cable Size O/D nom. Ins.	Connectors	Length (Metres)	Attenuation (dB) max.				VSWR (:1) max.					
				2.0 GHz	6.0 GHz	12.0 GHz	18.0 GHz	1.0 GHz	2.0 GHz	4.0 GHz	6.0 GHz	12.0 GHz	18.0 GHz
ACG-CA18-SMSM-0.5M	0.141	SMA Male/SMA Male	0.5	0.38	0.70	1.05	1.35	1.06	1.11	1.14	1.17	1.20	1.30
ACG-CA18-SMSM-1.0M	0.141	SMA Male/SMA Male	1.0	0.68	1.10	1.93	2.49	1.06	1.11	1.14	1.17	1.20	1.30
ACG-CA18-SMSM-1.5M	0.141	SMA Male/SMA Male	1.5	0.99	1.85	2.81	3.63	1.06	1.11	1.14	1.17	1.20	1.30
ACG-CA18-SMSM-2.0M	0.141	SMA Male/SMA Male	2.0	1.28	2.40	3.64	4.71	1.06	1.11	1.14	1.17	1.20	1.30
ACG-CA18-SMSM-2.5M	0.141	SMA Male/SMA Male	2.5	1.58	2.97	4.52	5.85	1.06	1.11	1.14	1.17	1.20	1.30
ACG-CA18-SMSM-3.0M	0.141	SMA Male/SMA Male	3.0	1.90	3.57	5.44	7.04	1.06	1.11	1.14	1.17	1.20	1.30

Power Handling (CW Watts) max.	Frequency (GHz)
208	1
144	2
98	4
78	6
52	12
40	18

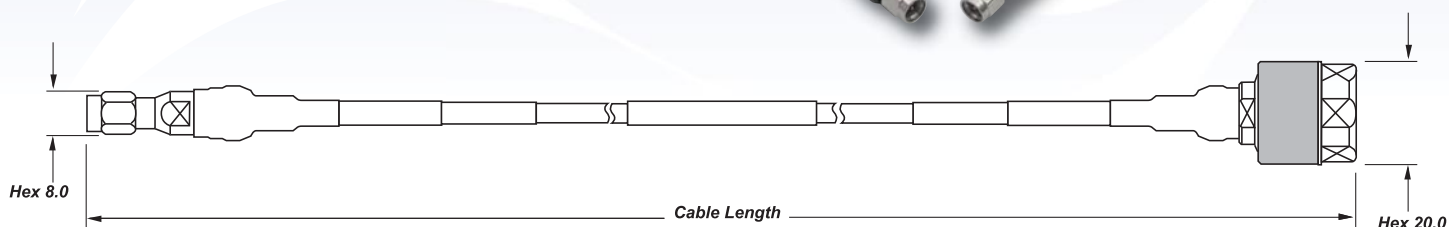
Options  
Custom Assembly Lengths, Alternative Connectors, Ident Sleeves

We reserve the right to change standard product specifications without notice but will be pleased to consider control drawings for quotation.

# Ultra Flexible Coaxial Test Cables

## ABC-CA18 Series

- Frequency DC-26.5GHz (subject to connector type)
- For Test and System Applications
- Velocity of Propagation 70%
- Polyurethane Jacket - Blue
- Ultra Flexible
- Phase Stability +/-2 degrees
- Cost Effective
- Stock Availability
- RoHS Compliant



AtlantecRF's ABC series of coaxial cable assemblies are designed for general purpose laboratory and equipment applications where flexibility, performance and affordability are key features. With a solid silver plated copper clad inner conductor and PTFE dielectric the outer conductor consists of three layers. The inner layer is silver plated copper tape followed by an interlayer of aluminium tape below the outer layer of silver plated copper braid.

The jacket over this is high flexibility polyurethane and at each connector there is a three level polyolefin strain relief.

Connectors have passivated stainless steel bodies in either SMA or Type N male. Standard STOCK lengths range from 0.3 to 5.0 metres but custom configurations of both cable length and connector type are also available to order.

General Specifications		
Operating Frequency	DC-26.5GHz (SMA); DC-18GHz (Type N)	
Impedance	50 ohms	
Velocity of Propagation	70%	
Phase Stability	+/-2 degrees with flexure	
Insertion Loss	0.8dB/ft. (2.6dB/m) max. @ 18GHz	
VSWR	Refer to table below for Return Loss	
Capacitance	98pF/m (29.8pF/ft)	
Insulation Resistance	5000M ohms min.	
Dielectric Withstand Voltage	1000V RMS	
Screening Effectiveness	90dB min.	
Temperature Range	-30 to +105C	
Preferred Bending Radius	120mm	
Connector Retention Force	100N min.	
Recommended Mating Torque	0.8Nm - 1.1Nm	
Centre Conductor	Silver Plated Copper Clad Steel Wire	
Cable Dielectric	Solid PTFE	
Inner Shield	Silver Plated Copper Tape	
Middle Shield	Aluminium Tape	
Outer Shield	Silver Plated Copper Braid	
Cable Jacket	Polyurethane - Blue	
Cable Diameter	5.3mm	
Marking Sleeve	Polyolefin	
Strain Relief Tube	Bonding Black Shrink Tube - 3 level	
Connector Interface	MIL-STD-348	
Connector	Body	Stainless Steel, Passivated
	Centre Contact	Beryllium Copper, Gold Plated
	Coupling Nut	Stainless Steel, Passivated
Standard Assembly Lengths	0.3 to 5.0m +/-1% (in 0.5m increments)	



Typical Performance Data @ 25C

Part Number	Connectors	Length (Metres)	Return Loss (dB) min.					Insertion Loss (dB) max.				
			2GHz	4GHz	8GHz	12GHz	18GHz	2GHz	4GHz	8GHz	12GHz	18GHz
ABC-CA18-SMSM-0.3M	SMA Male/SMA Male	0.3m	28	26	23	20	18	0.4	0.5	0.6	0.8	1.0
ABC-CA18-SMSM-0.5M	SMA Male/SMA Male	0.5m	28	26	23	20	18	0.5	0.6	0.8	1.0	1.4
ABC-CA18-SMSM-1.0M	SMA Male/SMA Male	1.0m	28	26	23	20	18	0.7	1.1	1.5	1.9	2.6
ABC-CA18-SMSM-1.5M	SMA Male/SMA Male	1.5m	28	26	23	20	18	1.1	1.7	2.3	2.9	3.9
ABC-CA18-SMSM-2.0M	SMA Male/SMA Male	2.0m	28	26	23	20	18	1.4	2.2	3.0	3.8	5.2
ABC-CA18-SMSM-2.5M	SMA Male/SMA Male	2.5m	28	26	23	20	18	1.8	2.8	3.8	4.8	6.5
ABC-CA18-SMSM-3.0M	SMA Male/SMA Male	3.0m	28	26	23	20	18	2.1	3.3	4.5	5.7	7.8
ABC-CA18-SMSM-3.5M	SMA Male/SMA Male	3.5m	28	26	23	20	18	2.5	3.9	5.3	6.7	9.1
ABC-CA18-SMSM-4.0M	SMA Male/SMA Male	4.0m	28	26	23	20	18	2.8	4.4	6.0	7.6	10.4
ABC-CA18-SMSM-4.5M	SMA Male/SMA Male	4.5m	28	26	23	20	18	3.2	5.0	6.8	8.6	11.7
ABC-CA18-SMSM-5.0M	SMA Male/SMA Male	5.0m	28	26	23	20	18	3.5	5.5	7.5	9.5	13.0
ABC-CA18-SMNM-0.3M	SMA Male/N Male	0.3m	28	26	23	20	18	0.4	0.5	0.6	0.8	1.0
ABC-CA18-SMNM-0.5M	SMA Male/N Male	0.5m	28	26	23	20	18	0.5	0.6	0.8	1.0	1.4
ABC-CA18-SMNM-1.0M	SMA Male/N Male	1.0m	28	26	23	20	18	0.7	1.1	1.5	1.9	2.6
ABC-CA18-SMNM-1.5M	SMA Male/N Male	1.5m	28	26	23	20	18	1.1	1.7	2.3	2.9	3.9
ABC-CA18-SMNM-2.0M	SMA Male/N Male	2.0m	28	26	23	20	18	1.4	2.2	3.0	3.8	5.2
ABC-CA18-SMNM-2.5M	SMA Male/N Male	2.5m	28	26	23	20	18	1.8	2.8	3.8	4.8	6.5
ABC-CA18-SMNM-3.0M	SMA Male/N Male	3.0m	28	26	23	20	18	2.1	3.3	4.5	5.7	7.8
ABC-CA18-SMNM-3.5M	SMA Male/N Male	3.5m	28	26	23	20	18	2.5	3.9	5.3	6.7	9.1
ABC-CA18-SMNM-4.0M	SMA Male/N Male	4.0m	28	26	23	20	18	2.8	4.4	6.0	7.6	10.4
ABC-CA18-SMNM-4.5M	SMA Male/N Male	4.5m	28	26	23	20	18	3.2	5.0	6.8	8.6	11.7
ABC-CA18-SMNM-5.0M	SMA Male/N Male	5.0m	28	26	23	20	18	3.5	5.5	7.5	9.5	13.0
ABC-CA18-NMNM-0.3M	N Male/N Male	0.3m	28	26	23	20	18	0.4	0.5	0.6	0.8	1.0
ABC-CA18-NMNM-0.5M	N Male/N Male	0.5m	28	26	23	20	18	0.5	0.6	0.8	1.0	1.4
ABC-CA18-NMNM-1.0M	N Male/N Male	1.0m	28	26	23	20	18	0.7	1.1	1.5	1.9	2.6
ABC-CA18-NMNM-1.5M	N Male/N Male	1.5m	28	26	23	20	18	1.1	1.7	2.3	2.9	3.9
ABC-CA18-NMNM-2.0M	N Male/N Male	2.0m	28	26	23	20	18	1.4	2.2	3.0	3.8	5.2
ABC-CA18-NMNM-2.5M	N Male/N Male	2.5m	28	26	23	20	18	1.8	2.8	3.8	4.8	6.5
ABC-CA18-NMNM-3.0M	N Male/N Male	3.0m	28	26	23	20	18	2.1	3.3	4.5	5.7	7.8
ABC-CA18-NMNM-3.5M	N Male/N Male	3.5m	28	26	23	20	18	2.5	3.9	5.3	6.7	9.1
ABC-CA18-NMNM-4.0M	N Male/N Male	4.0m	28	26	23	20	18	2.8	4.4	6.0	7.6	10.4
ABC-CA18-NMNM-4.5M	N Male/N Male	4.5m	28	26	23	20	18	3.2	5.0	6.8	8.6	11.7
ABC-CA18-NMNM-5.0M	N Male/N Male	5.0m	28	26	23	20	18	3.5	5.5	7.5	9.5	13.0

Custom lengths, connector configurations and detailed cable specifications available on request

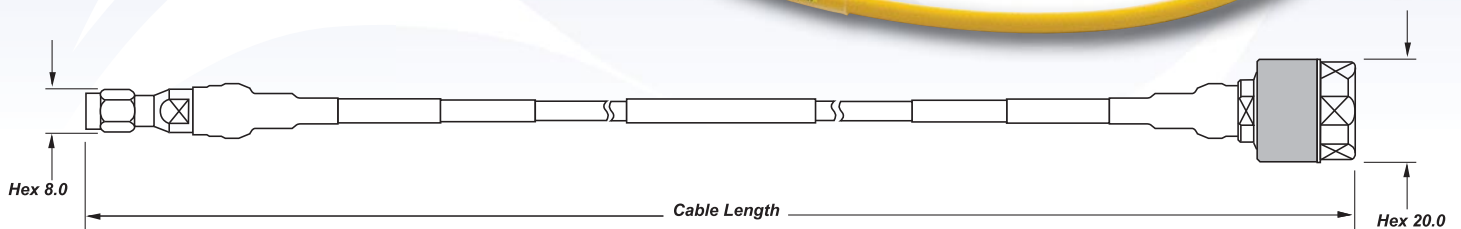
Power Handling @ 25°C (Watts) CW	Frequency (GHz)
250	2
180	4
120	8
100	12
80	18

We reserve the right to change standard product specifications without notice but will be pleased to consider control drawings for quotation.

# Low Loss Flexible Coaxial Test Cables

## ACW-CA18 Series

- Frequency DC-26.5GHz (subject to connector type)
- Velocity of Propagation 77%
- FEP Jacket - Orange/White
- Low Loss
- Cost Effective
- Stock Availability
- RoHS Compliant

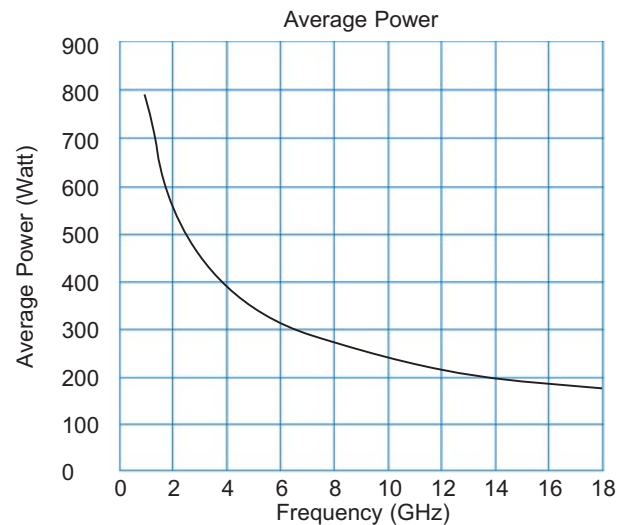
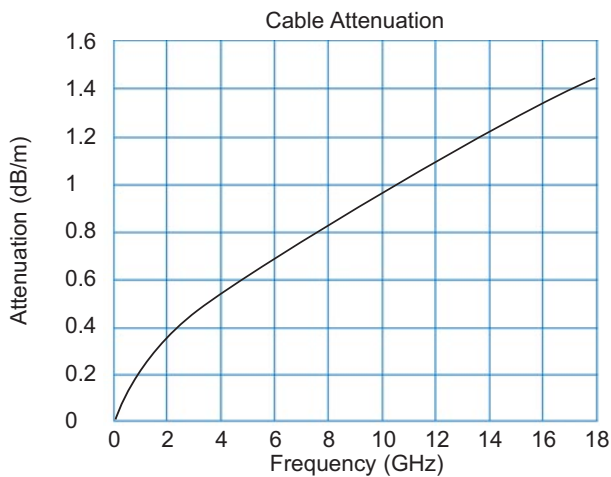


AtlantecRF's ACW series of coaxial cable assemblies are designed for general purpose laboratory and equipment applications where low loss, flexibility, performance and affordability are key features. Connectors have passivated stainless steel bodies in either SMA or Type N male. Standard STOCK lengths range from 0.5 to 5.0 metres but custom configurations of both cable length and connector type are also available to order.

General Specifications	
Operating Frequency	DC-26.5GHz (SMA); DC-18GHz (Type N)
Cable Impedance	50 (+/-1) ohms
Velocity of Propagation	77%
Insertion Loss	1.35dB/m @ 18GHz max.
Insertion Loss Stability	In accordance with 'MIL-T-81490'
VSWR	1.35:1 max.
VSWR Stability	In accordance with 'MIL-T-81490'
RF Leakage	-90dB @ 18GHz
Operating Voltage	2500V max. (1000V with SMA)
Cable Outside Diameter	5.7mm
Cable Jacket	FEP (Fluorinated Ethylene Propylene) – Orange/White
Outer Conductor	Silver Plated Copper Braid
Inner Shield	SPC Foil
Cable Dielectric	Low Density PTFE
Centre Conductor	Solid Silver Plated Copper
Flexure	In accordance with 'MIL-T-81490 and MIL-C-87104'
Bend Radius	25.4cm
Weight	64g/m
Temperature Range	-40 to +125C
Chemical Resistance	In accordance with 'MIL-T-81490 and MIL-C-87104'
Salt Fog	In accordance with 'MIL-T-81490 and MIL-C-87104'
Humidity	In accordance with 'MIL-T-81490 and MIL-C-87104'
Abrasion Resistance	In accordance with 'MIL-T-81490 and MIL-C-87104'
Cable Tensile Strength	75lbs. (34.02kg) min.
Vapor Leakage	1 x 10 <sup>-5</sup> cc/sec/ft of Helium max. incl. connectors
Vibration	In accordance with 'MIL-T-81490'
Impact Shock	In accordance with 'MIL-T-81490'
Standard Assembly Lengths	0.5 to 5.0M +/-1% (in 0.5m increments)

Part Numbers	Connectors	Length (Metres)
ACW-CA18-SMSM-0.5M	SMA Male/SMA Male	0.5m
ACW-CA18-SMSM-1.0M	SMA Male/SMA Male	1.0m
ACW-CA18-SMSM-1.5M	SMA Male/SMA Male	1.5m
ACW-CA18-SMSM-2.0M	SMA Male/SMA Male	2.0m
ACW-CA18-SMSM-2.5M	SMA Male/SMA Male	2.5m
ACW-CA18-SMSM-3.0M	SMA Male/SMA Male	3.0m
ACW-CA18-SMSM-3.5M	SMA Male/SMA Male	3.5m
ACW-CA18-SMSM-4.0M	SMA Male/SMA Male	4.0m
ACW-CA18-SMSM-4.5M	SMA Male/SMA Male	4.5m
ACW-CA18-SMSM-5.0M	SMA Male/SMA Male	5.0m
ACW-CA18-SMNM-0.5M	SMA Male/N Male	0.5m
ACW-CA18-SMNM-1.0M	SMA Male/N Male	1.0m
ACW-CA18-SMNM-1.5M	SMA Male/N Male	1.5m
ACW-CA18-SMNM-2.0M	SMA Male/N Male	2.0m
ACW-CA18-SMNM-2.5M	SMA Male/N Male	2.5m
ACW-CA18-SMNM-3.0M	SMA Male/N Male	3.0m
ACW-CA18-SMNM-3.5M	SMA Male/N Male	3.5m
ACW-CA18-SMNM-4.0M	SMA Male/N Male	4.0m
ACW-CA18-SMNM-4.5M	SMA Male/N Male	4.5m
ACW-CA18-SMNM-5.0M	SMA Male/N Male	5.0m
ACW-CA18-NMNM-0.5M	N Male/N Male	0.5m
ACW-CA18-NMNM-1.0M	N Male/N Male	1.0m
ACW-CA18-NMNM-1.5M	N Male/N Male	1.5m
ACW-CA18-NMNM-2.0M	N Male/N Male	2.0m
ACW-CA18-NMNM-2.5M	N Male/N Male	2.5m
ACW-CA18-NMNM-3.0M	N Male/N Male	3.0m
ACW-CA18-NMNM-3.5M	N Male/N Male	3.5m
ACW-CA18-NMNM-4.0M	N Male/N Male	4.0m
ACW-CA18-NMNM-4.5M	N Male/N Male	4.5m
ACW-CA18-NMNM-5.0M	N Male/N Male	5.0m

Custom lengths, connector configurations and detailed cable specifications available on request



We reserve the right to change standard product specifications without notice but will be pleased to consider control drawings for quotation.

# Low Loss Flexible Coaxial Test Cables

## ACO-CA40 Series

- Frequency DC-40GHz
- Good Flexibility & Durability
- Low Loss
- Cost Effective
- Stock Availability
- RoHS Compliant



AtlantecRF's ACO series of coaxial cable assemblies are designed for general purpose laboratory and equipment applications where low loss, flexibility, performance and affordability are key features. Connectors are 2.92mm male with passivated stainless steel bodies. Standard STOCK lengths range from 0.5 to 5.0 metres but custom cable lengths are also available to order.

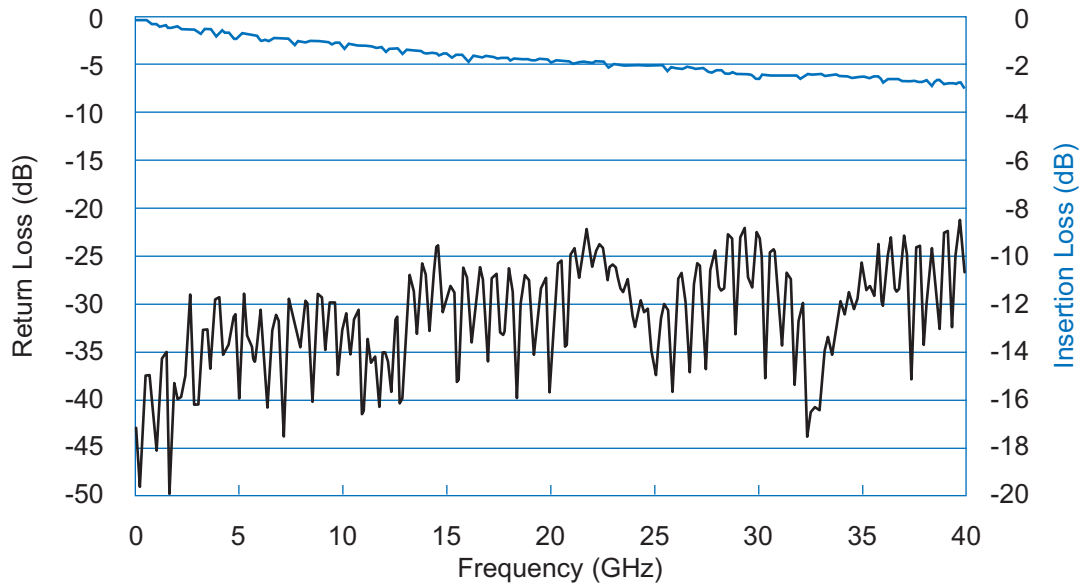
General Specifications	
Operating Frequency	DC-40GHz
Cable Impedance	50 ohms
Velocity of Propagation	77% nom.
VSWR	1.35:1 max.
Dielectric Constant	1.7 nom.
RF Leakage	-100dB
Time Delay	4.35ns/m
Capacitance	86pF/m
Phase Stability vs. Flexure	4 deg (@18GHz max.)
Insertion Loss Stability vs. Flexure	+/-0.3dB (@ min. Bend Radius)
Phase Stability vs. Temperature	2 deg/GHz/m max. (-40 to +80C)
Cable Outside Diameter	4.3mm
Cable Jacket	FEP - Orange
Outer Conductor	Silver Plated Copper
Cable Dielectric	Low Density PTFE
Centre Conductor	Silver Plated Copper Stranded 19/0.2mm
Bend Radius	19.5mm min.
Weight	42g/m
Temperature Range	-55 to +135C

Part Number	Connectors	Length (Metres)	Length Tolerance (mm)
ACO-CA40-KMKM-0.5M	2.92mm Male/2.92mm Male	0.5	+/-5
ACO-CA40-KMKM-1.0M	2.92mm Male/2.92mm Male	1.0	+/-5
ACO-CA40-KMKM-1.5M	2.92mm Male/2.92mm Male	1.5	+/-5
ACO-CA40-KMKM-2.0M	2.92mm Male/2.92mm Male	2.0	+/-10
ACO-CA40-KMKM-2.5M	2.92mm Male/2.92mm Male	2.5	+/-10
ACO-CA40-KMKM-3.0M	2.92mm Male/2.92mm Male	3.0	+/-10
ACO-CA40-KMKM-3.5M	2.92mm Male/2.92mm Male	3.5	+/-10
ACO-CA40-KMKM-4.0M	2.92mm Male/2.92mm Male	4.0	+/-10
ACO-CA40-KMKM-4.5M	2.92mm Male/2.92mm Male	4.5	+/-10
ACO-CA40-KMKM-5.0M	2.92mm Male/2.92mm Male	5.0	+/-10

Attenuation (dB/m)	Frequency (GHz)
0.12	0.1
0.33	1
0.58	3
0.99	8
1.12	10
1.24	12
1.58	18
1.94	26.5
2.48	40

Power Handling @ 25C (Watts)	Frequency (GHz)
620	1
440	2
254	6
180	12
147	18
99	40

Typical Return Loss and Insertion Loss for a 1 metre Cable Assembly



We reserve the right to change standard product specifications without notice but will be pleased to consider control drawings for quotation.



# COAXIAL ADAPTERS – SMA & Type N Series

S191-CCSF

SMA Female to SMA Female

Frequency Range: DC-18GHz

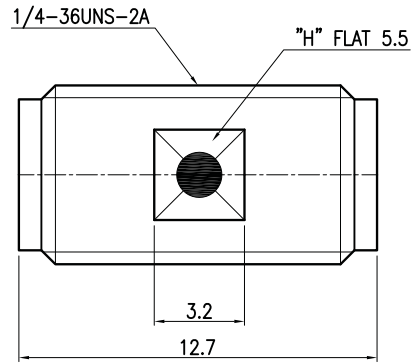
VSWR:  $1.10 + 0.008f(f=GHz)$  max.

Operating Temperature: -40 to +120C

Centre Contact: Gold Plated Beryllium Copper

Body: Passivated Stainless Steel

Insulator: PTFE



S390-CCSF

SMA Male to SMA Male

Frequency Range: DC-18GHz

VSWR:  $1.10 + 0.008f(f=GHz)$  max.

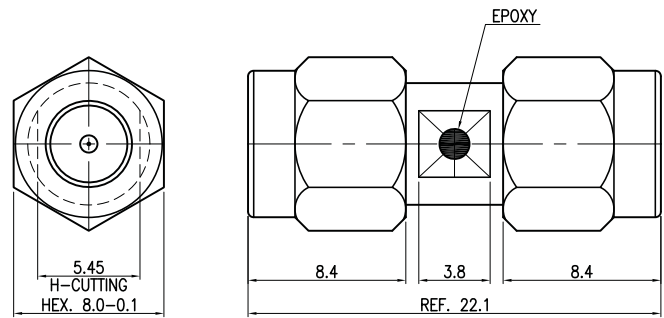
Operating Temperature: -45 to +120C

Centre Contact: Gold Plated Brass

Body, Coupling Nut, Snap Ring: Passivated Stainless Steel

Insulator: PTFE

Gasket: Silicone Rubber



S299-CCSF

SMA Male to SMA Female

Frequency Range: DC-18GHz

VSWR: 1.25:1 max.

Insertion Loss: 0.7dB max.

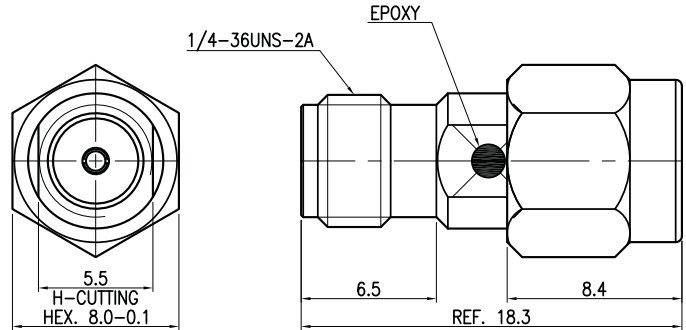
Operating Temperature: -45 to +120C

Centre Contact: Gold Plated Beryllium Copper

Body, Coupling Nut, Snap Ring: Passivated Stainless Steel

Insulator: PTFE

Gasket: Silicone Rubber



S170-CCSF

SMA Female to SMA Female Bulkhead

Frequency Range: DC-18GHz

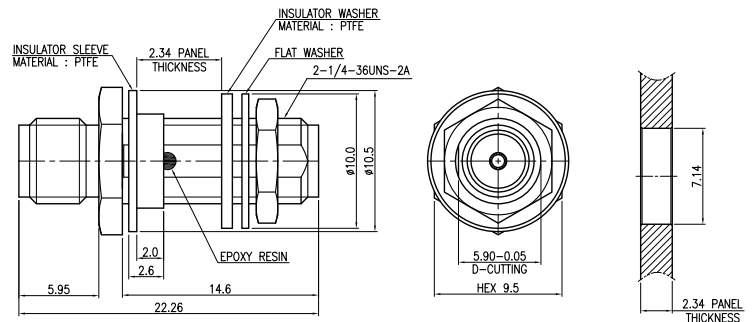
VSWR: 1.20:1 max.

Operating Temperature: -55 to +100C

Centre Contact: Gold Plated Beryllium Copper

Body, Hex Nut, Flat Washer: Passivated Stainless Steel

Insulator: PTFE



All parts are RoHS compliant. Dimensions in mm

# COAXIAL ADAPTERS – SMA & Type N Series

S004-SF

SMA Female to Type N Male

Frequency Range: DC-18GHz

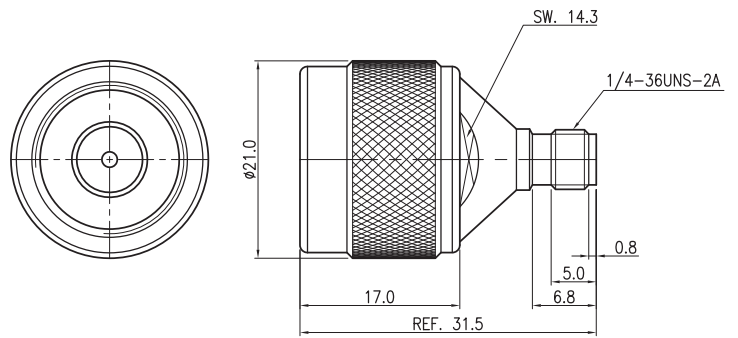
VSWR: 1.25:1 max.

Operating Temperature: -45 to +120C

Centre Contact: Gold Plated Beryllium Copper

Body, Coupling Nut: Passivated Stainless Steel

Insulator: PTFE



S006-SF

SMA Male to Type N Male

Frequency Range: DC-18GHz

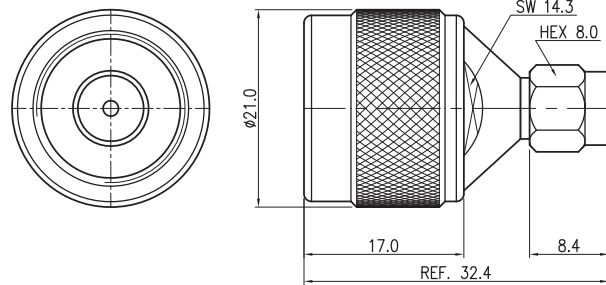
VSWR: 1.25:1 max.

Operating Temperature: -45 to +120C

Centre Contact: Gold Plated Beryllium Copper

Body, Coupling Nut: Passivated Stainless Steel

Insulator: PTFE



S008-SF

SMA Female to Type N Female

Frequency Range: DC-18GHz

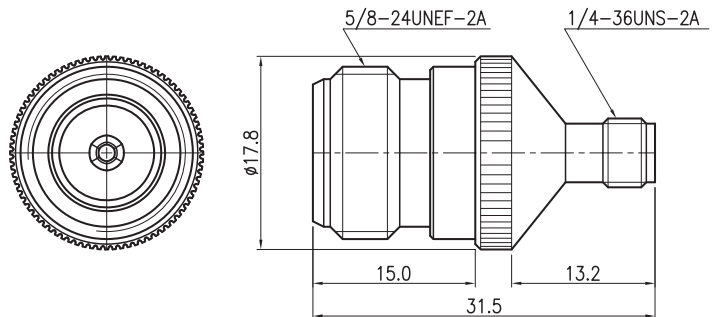
VSWR: 1.25:1 max.

Operating Temperature: -45 to +120C

Centre Contact: Gold Plated Beryllium Copper

Body: Passivated Stainless Steel

Insulator: PTFE



S010-SF

SMA Male to Type N Female

Frequency Range: DC-18GHz

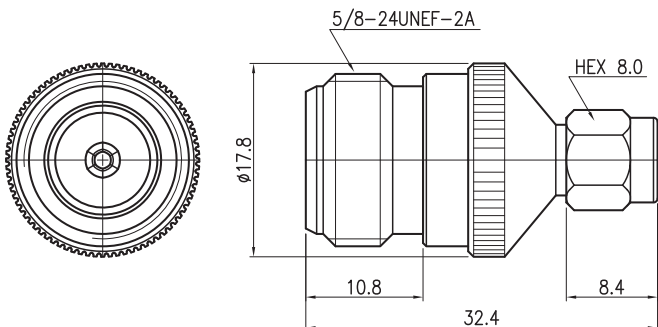
VSWR: 1.25:1 max.

Operating Temperature: -45 to +120C

Centre Contact: Gold Plated Beryllium Copper

Body, Coupling Nut: Passivated Stainless Steel

Insulator: PTFE



All parts are RoHS compliant. Dimensions in mm

# COAXIAL ADAPTERS – SMA & Type N Series

S009-CC

SMA Female to Type N Female Panel Mount

Frequency Range: DC-18GHz

VSWR: 1.30:1 max.

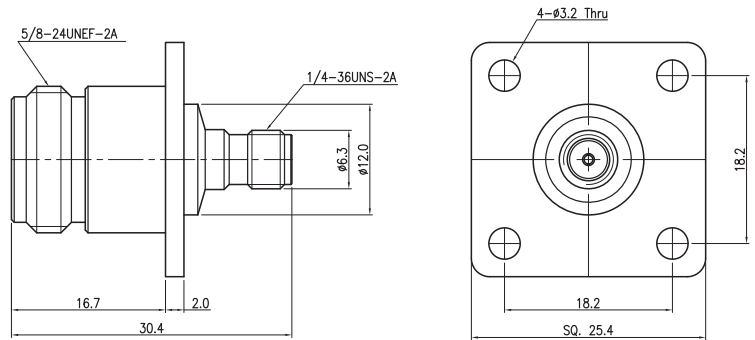
Operating Temperature: -45 to +120C

Centre Contact: Gold Plated Beryllium Copper

Body: Ternary-alloy Plated Brass

Insulator: PTFE

Mechanical Captivation (Barb for axial direction)



N036-SF

Type N Female to N Male

Frequency Range: DC-18GHz

VSWR: 1.20:1 max.

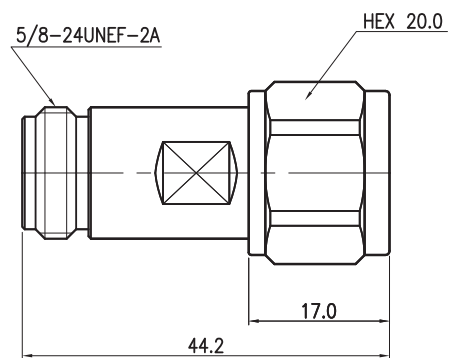
Operating Temperature: -45 to +120C

Centre Contact: Gold Plated Beryllium Copper

Body, Coupling Nut, Snap Ring: Passivated Stainless Steel

Insulator: PTFE

Gasket: Silicone Rubber



N037-SF

Type N Female to N Female

Frequency Range: DC-18GHz

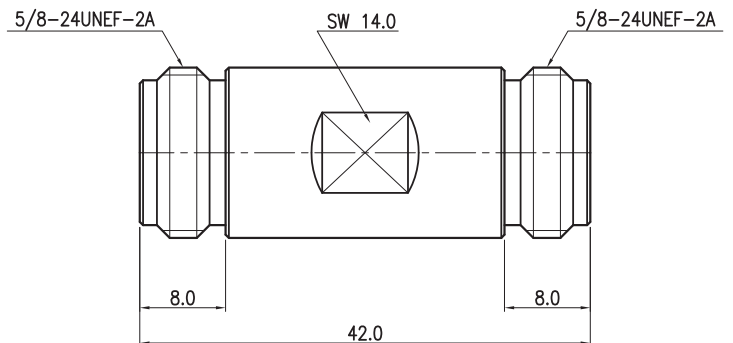
VSWR: 1.20:1 max.

Operating Temperature: -45 to +120C

Centre Contact: Gold Plated Beryllium Copper

Body: Passivated Stainless Steel

Insulator: PTFE



N020-SF

Type N Female to N Female Bulkhead

Frequency Range: DC-6GHz

VSWR: 1.20:1 max.

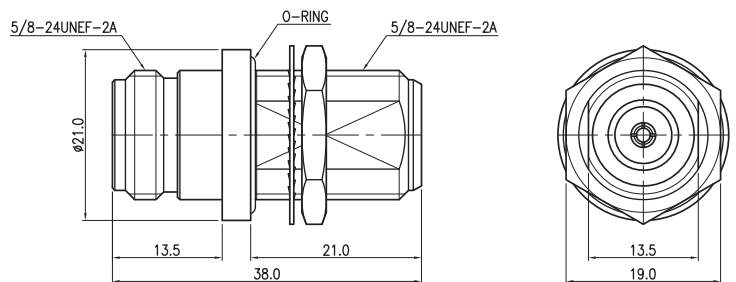
Operating Temperature: -45 to +120C

Centre Contact: Gold Plated Beryllium Copper

Body, Hex Nut, Lock Washer: Passivated Stainless Steel

Insulator: PTFE

O-Ring: Silicone Rubber



All parts are RoHS compliant. Dimensions in mm

We reserve the right to change standard product specifications without notice but will be pleased to consider control drawings for quotation.

## Torque Wrenches

### ATW Series

- Easy To Use
- Cost Effective
- Stock Availability



These handy range of torque wrenches enable the correct installation or disassembly of a wide range of coaxial connectors as listed in the table below.

Designed with a preset torque value, which when reached will “break” about the pivot pin.

Supplied in a wooden box as standard.

Part No.	For Use with Connector Type	Wrench Size		Preset Torque	
		mm	/ inches	in. lbs	/ Nm
ATW-S01	SMA/3.5mm/2.92mm/2.4mm/1.85mm	8.0	5/16	8.1 +/-0.4	0.92 +/-0.05
ATW-K02	3.5mm/2.92mm/2.4mm/1.85mm	8.0	5/16	12.0 +/-0.7	1.36 +/-0.08
ATW-N03	Type N	19.1	3/4	8.1 +/-0.4	0.92 +/-0.05
ATW-N04	Type N/7mm (Stainless Steel)	19.1	3/4	14.0 +/-0.8	1.60 +/-0.09
ATW-N05	Type N	20.0	25/32	8.1 +/-0.4	0.92 +/-0.05
ATW-N06	Type N (Stainless Steel)	20.0	25/32	14.0 +/-0.8	1.60 +/-0.09
ATW-SC07	SC/Type N	20.6	13/16	8.1 +/-0.4	0.92 +/-0.05
ATW-SC08	SC/Type N (Stainless Steel)	20.6	13/16	14.0 +/-0.8	1.60 +/-0.09
ATW-TNC09	TNC (Stainless Steel)	14.3	9/16	12.0 +/-0.7	1.36 +/-0.09
ATW-TNC10	TNC (Stainless Steel)	15.9	5/8	12.0 +/-0.7	1.36 +/-0.09
ATW-SMC11	SMC	6.0	15/64	3.0 +/-0.15	0.36 +/-0.02
ATW-SMC12	SSMC	4.0	5/32	2.0 +/-0.1	0.23 +/-0.01
ATW-SS13	SSMA	6.4	1/4	5.0 +/-0.2	0.57 +/-0.02
ATW-SS14	SSMA (Stainless Steel)	6.4	1/4	8.1 +/-0.4	0.92 +/-0.05
ATW-SH15	SMA Hermetic	7.1	9/32	30.0 +/-2.0	3.40 +/-0.23
ATW-1MM	1mm	6.0	15/64	4.0 +/-0.15	0.45 +/-0.02
ATW-716	7/16	32.0	1 1/4	20.0 +/-1.5	2.26 +/-0.17
ATW-717	7/16	27.0	1 1/16	20.0 +/-1.5	2.26 +/-0.17
ATW-TNC18	TNC	14.3	9/16	6.1 +/-0.3	0.69 +/-0.03
ATW-TNC19	TNC	15.9	5/8	6.1 +/-0.3	0.69 +/-0.03
ATW-S20	SMA (recommended for test application)	8.0	5/16	5.0 +/-0.2	0.56 +/-0.02

We reserve the right to change standard product specifications without notice but will be pleased to consider control drawings for quotation.

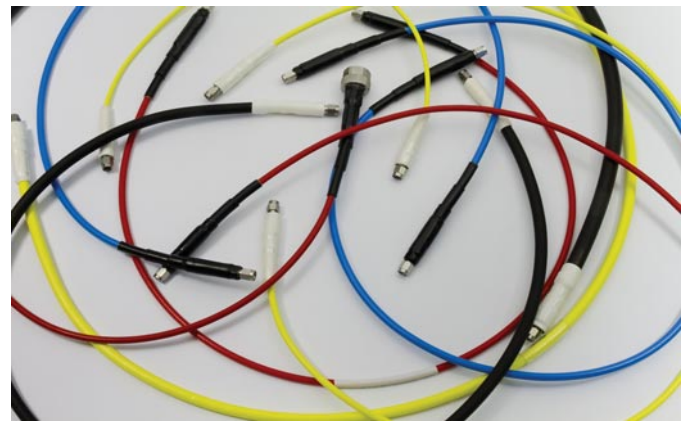
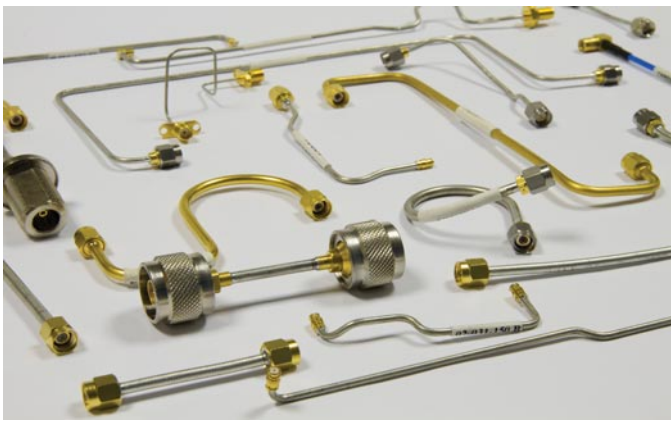
## CUSTOM CABLE ASSEMBLIES

AtlantecRF's wide range of standard semi-flexible, reformable and flexible cable assemblies will provide the best solution for many microwave and RF systems. However, there is often the need to address cabling requirements with custom products for the applications where a unique cable interconnect product is required.

The following are examples where AtlantecRF can provide solutions:

- Built to specified lengths with a very wide variety of connector choice, possibly formed in copper semi-rigid cable to precise dimensions.
- Phase matched in pairs and sets.
- Designed to meet exacting electrical and environmental parameters including low loss, high phase stability, extended frequency range or super flexibility.

To achieve your special cable assembly needs, just contact your nearest AtlantecRF sales office to discuss your full technical requirements.



## Coaxial Cable

- Semi-Flex & Semi-Rigid
- 0.034, 0.047, 0.086, 0.141, 0.250 ins. O/D
- Copper, Aluminium & Composite
- Choice of Plating
- Lengths to 50ft, 15m
- Very cost effective
- Operating Temperature Range -55 +125C



Cable Type	Outer Conductor	Dielectric	Inner Conductor
ASF Semi Flexible	Copper/Tin Composite	PTFE	Silver Plated Copper-clad Steel
ASR Aluminium Semi-Rigid	Tin Plated Aluminium	PTFE	Silver Plated Copper-clad Steel
CSR Copper Semi-Rigid	Plain or Tin Plated Copper	PTFE	Silver Plated Copper-clad Steel

Data for Capacitance, Corona, Voltage Withstand and Moding Frequency, as well as other options are also available. Please contact factory for additional information.

Full details, including **Model Table** available on our website [www.atlantecrf.com](http://www.atlantecrf.com)





## QUALITY ASSURANCE

### ISO-9001:2008

All of our materials, sub-contractors and suppliers are very carefully chosen to provide our customers with the value they need and expect. Our in-house systems and processes are all to ISO-9001:2008 and are constantly updated to accommodate today's challenges in product reliability.

### RoHS

AtlanTecRF is committed to meeting the requirements of the Directive 2002/95/EC of the European Parliament which took effect from July 1st 2006.

### WEEE Compliance

AtlanTecRF is a member of the WeeeCare Compliance Scheme (EA approved registration no. WEE/MP3538PZ/SCH) and therefore fulfil their obligations in accordance with the Waste Electrical and Electronic Equipment Regulations 2006.

## SERVICE & DELIVERY

**Excellent customer service** is paramount, with a personal approach being applied to every product enquiry and sale.

Technical support is available around the world through our UK head office and all of our carefully selected and technically competent sales offices and distributors.

We are willing to consider entering into **long term supply agreements** with our customers and provide a stocking scheme tailored to their production needs.

Much of our standard component offering can be delivered from **stock** in the DC to 50 GHz frequency range with same-day dispatch available.

## PLACING YOUR ORDER

AtlanTecRF is a brand name of Atlantic Microwave Ltd.

- Phone: +44 (0)1376 550220
- Email: [sales@atlantecrf.com](mailto:sales@atlantecrf.com)
- Fax: +44 (0)1376 552145
- Post: Atlantic Microwave Ltd, 40A Springwood Drive, Braintree, Essex CM7 2YN, UK

Please include your Quote reference, a contact name and phone number on the Purchase Order for any queries relating to your order.

## SALES INFORMATION

### Warranty

Atlantic Microwave Ltd. warrants that the goods will correspond with their specification at the time of delivery and will be free from defects in material and workmanship for a period of twelve months from the date of delivery. This warranty is subject to Atlantic Microwave Limited's standard terms and conditions.

### Specifications

Atlantic Microwave Ltd. reserves the right to change price and specifications of all products without notice, but will be pleased to consider control drawings on request.

### Payment Terms

*Approved accounts:* Within 30 days of date of invoice, via Direct Bank Transfer or cheque. Our bank details provided on request.

*Non-approved accounts:* Payment is due before delivery of goods, via Direct Bank Transfer, cheque, or credit/debit card (Visa, Mastercard, Maestro, Amex, Diners Club International and Discover all accepted).

### Delivery Dates

Atlantic Microwave Ltd. makes all reasonable efforts to meet the agreed delivery dates.

### Freight Charges

*UK orders:* Shipping costs are included in the price, as confirmed on the Atlantic Microwave Ltd Order Acknowledgement.

*International orders:* The Customer is responsible for shipping costs if exported outside the UK.

### International Taxes and Duties:

The Customer is responsible for payment of all international taxes and duties.

# Markets

AtlantecRF products provide cutting edge technology to a diverse range of industries



Telecommunications



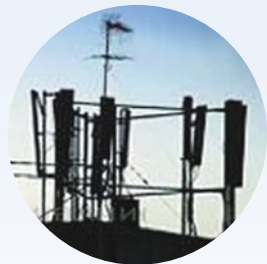
Broadcasting



Satellite Communications



Aerospace



Wireless



Radio Links



Defence



Scientific Research

## Sales locations in over 20 countries worldwide



[www.atlantecrf.com](http://www.atlantecrf.com)

